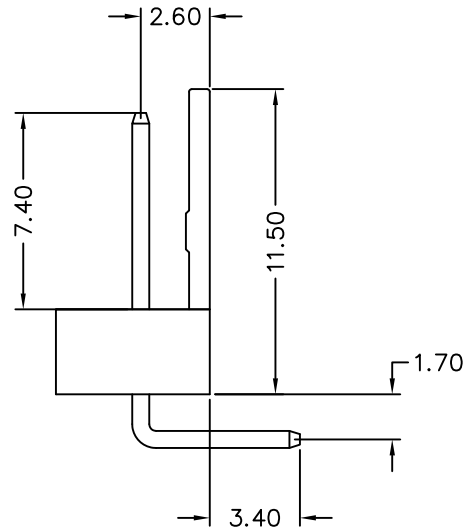


Recommended P.C.B Layout



MATERIAL

Contact Pin : Brass

Insulator: NY9T UL94-V0

SPECIFICATION

Current Rate : 4 AMP PER PIN(24AWG)

Insulation Resistance : 1000MΩMin.

Contact Resistance : 10mΩMax.

Dielectric voltage : 250V AC for one minute

Operation Temperature : -25°C to + 85°C

RoHS Compliant

TOLERANCES ARE

MORETHANALL
PCB CONNECTORS
Cable ASSEMBLIES

DRAWING BY CY

CHECKED BY GENIUS

UNIT / mm

SCALE 1 : 1

DATE

SIZE A4

PPOJECTION

X. ±
.X ± 0.30
.XX ± 0.20
.XXX ±
ANG ± 3°

照片框

ORDER INFORMATION

MK-RN9T4A-03-LF
SERIES | NY9T | 4 AMP | 03 WAY | LEADFREE
DIP 90°

煜倫股份有限公司

www.morethanall.com

DESCRIPTION: 2.54 WAFER DIP 90° TYPE