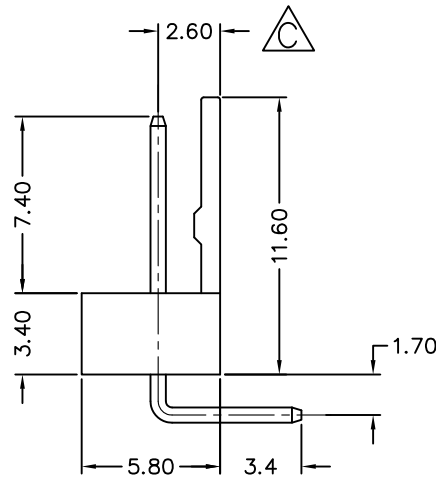


Recommended P.C.B Layout



MATERIAL

Insulator : NY9T
 Contact Pin : Brass
 Contact Plated : Tin Plated

SPECIFICATION

Current Rate : 2 AMP
 Insulation Resistance : 1000MΩMin.
 Contact Resistance : 10mΩMax.
 Dielectric voltage : 250V AC for one minute
 Operation Temperature : -25°C to + 85°C

Poles	Dimension mm	
	A	B
2	2.54	5.12
3	5.08	7.66
4	7.62	10.20
5	10.16	12.74
6	12.70	15.30
7	15.24	17.94
8	17.78	20.48
9	20.32	23.02
10	22.86	25.58
11	25.40	28.12
12	27.94	30.68
13	30.48	33.10
14	33.02	35.80
15	35.56	38.34
16	38.10	40.94
17	40.64	43.30
18	43.18	45.90
19	45.72	48.56
20	48.26	50.80

RoHS Compliant

TOLERANCES ARE

MORETHANALL
 PCB CONNECTORS
 Cable ASSEMBLIES

DRAWING BY CY

CHECKED BY GENIUS

UNIT / mm

SCALE 1 : 1

DATE

SIZE A4

X, ±
 .X ± 0.30
 .XX ± 0.20
 .XXX ±
 ANG ± 3°

PJECTION

照片框

ORDER INFORMATION

MK-RN9T-xx-LF
 SERIES | NY9T | LEADFREE
 DIP 90° | 02-20 WAY

DESCRIPTION: MOLEX 2.54 WAFER DIP 90° TYPE

煜倫股份有限公司

www.morethanall.com