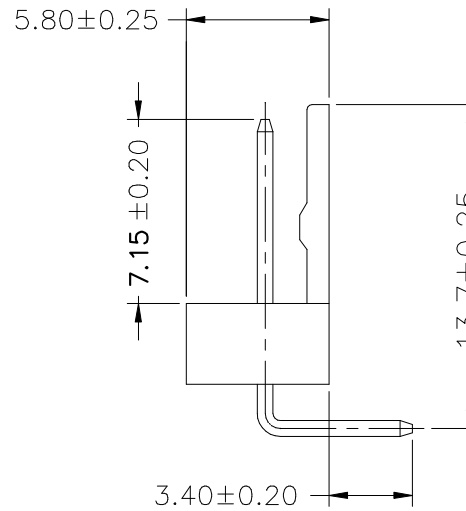
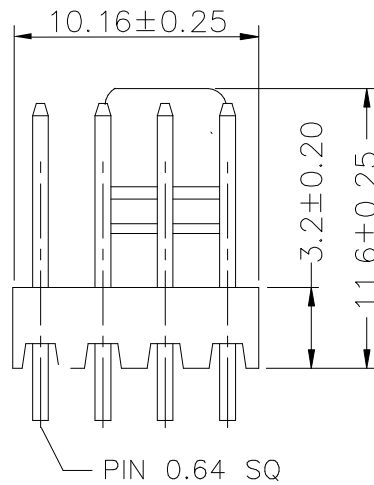


P.C.B LAYOUT

MAT'L: BODY: NYLON 66 UL94V-2  
 PINS: BRASS TIN PLATED  
 CURRENT RATING: 4A AC,DC  
 VOLTAGE RATING: 250V AC,DC



RoHS Compliant

TOLERANCES ARE

**MORETHANALL**  
 PCB CONNECTORS  
 Cable ASSEMBLIES

DRAWING BY CY

CHECKED BY GENIUS

UNIT / mm

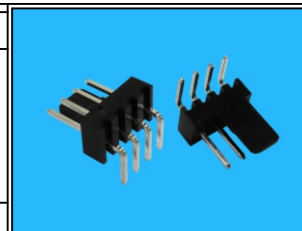
SCALE 1:1

DATE

SIZE A4

PPOJECTION

X.±  
 .X±  
 .XX±  
 .XXX±  
 ANG±



ORDER INFORMATION

**MK-RBK-04W3-LF**  
 SERIES | LEADFREE  
 | 3 WAY WALL  
 | 04 WAY  
 | BLACK  
 | DIP 90°

煜倫股份有限公司

www.morethanall.com

DESCRIPTION: