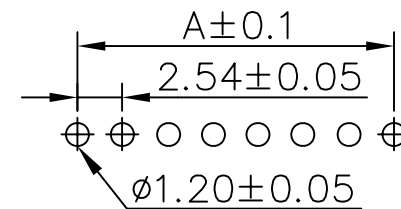
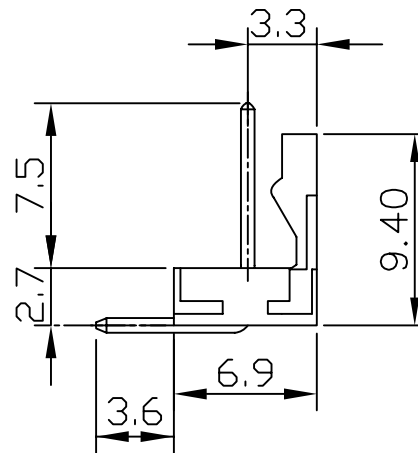


Material:
 Insulation: Glass filled polyester UL 94V-0
 Color White(Nature)
 Contact: Brass



A = 2.54 X NO. OF SPACES
 B = A + 2.54
 * Available in 2 through 36 circuits

Recommended P.C. Board Layout

RoHS Compliant

TOLERANCES ARE

MORETHANALL
 PCB CONNECTORS
 Cable ASSEMBLIES

DRAWING BY CY

X. ±

CHECKED BY GENIUS

.X ±

UNIT / mm

SCALE 1 : 1

.XX ±

DATE

.XXX ±

ANG ±

照片框

ORDER INFORMATION

MK-RB-xx-LF
 SERIES LEADFREE
 02~36WAY
 BREAKAWAY
 DIP 90°

煜倫股份有限公司

www.morethanall.com

SIZE A4

PJECTION

DESCRIPTION: 2.54mm STRAIGHT DIP HEADER