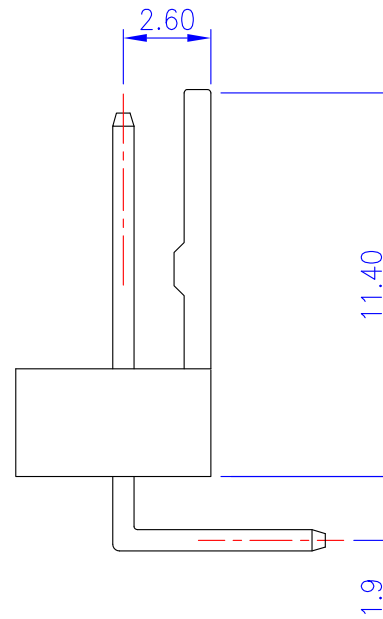
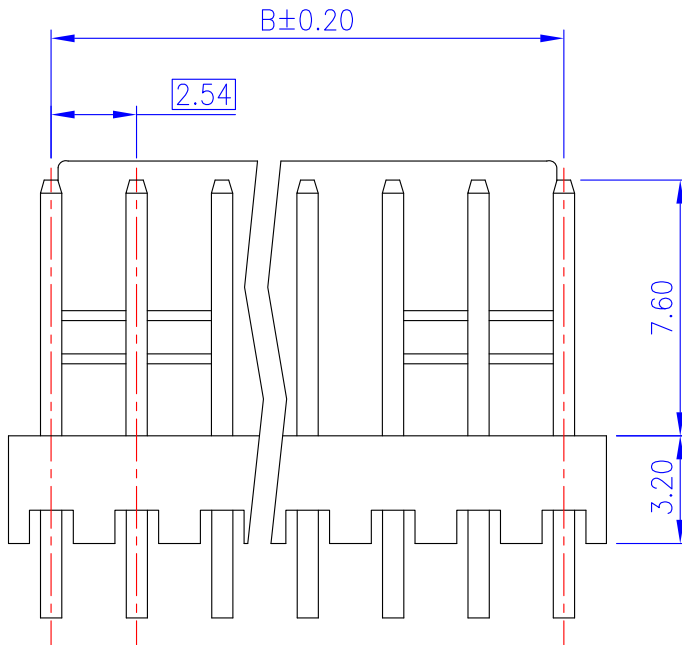


PCB Layout
(Top View)



Material and Finish

1. Housing: Nylon 66 (UL94V-2), Natural.
2. Terminal: Sq. 0.64mm Brass, Tin Plating.

Electrical Characteristics

1. Current Rating: 3.0 Amp. Max..
2. Dielectric Withstand Voltage: 1000V AC RMS for 60Seconds.
3. Insulation Resistance: 1000M Ohms Min. at 1000V DC.

Mechanical Characteristics

1. Operating Temperature: $-25^{\circ}\text{C} \sim +85^{\circ}\text{C}$

| Dimensions | | |
|------------|-------|-------|
| Pos. | A | B |
| 02 | 5.12 | 2.54 |
| 03 | 7.66 | 5.08 |
| 04 | 10.20 | 7.62 |
| 05 | 12.74 | 10.16 |
| 06 | 15.30 | 12.70 |
| 07 | 17.94 | 15.24 |
| 08 | 20.48 | 17.78 |
| 09 | 23.02 | 20.32 |
| 10 | 25.58 | 22.86 |
| 11 | 28.12 | 25.40 |
| 12 | 30.68 | 27.94 |
| 13 | 33.10 | 30.48 |
| 14 | 35.80 | 33.02 |
| 15 | 38.34 | 35.56 |
| 16 | 40.94 | 38.10 |
| 17 | 43.30 | 40.64 |
| 18 | 45.90 | 43.18 |
| 20 | 50.80 | 48.26 |

RoHS Compliant

TOLERANCES ARE

MORETHANALL
PCB CONNECTORS
Cable ASSEMBLIES

DRAWING BY CY

CHECKED BY GENIUS

UNIT / mm

SCALE 1 : 1

DATE

SIZE A4

PJECTION

X, \pm
.X \pm 0.30
.XX \pm 0.20
.XXX \pm 0.10
ANG \pm

照片框

ORDER INFORMATION

MK-R-xx-LF
SERIES | LEADFREE
02~20 WAY
DIP 90°

煜倫股份有限公司

www.morethanall.com

DESCRIPTION: 2.54mm Wafer Connector PCB Mount Right Angle