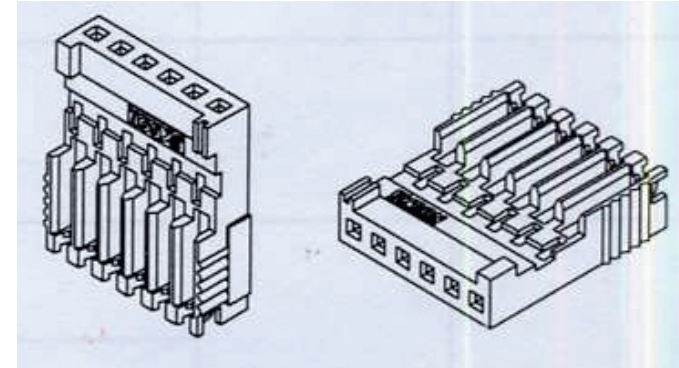


1. Material: Nylon 66 UL 94V0
2. Color: Natural



Circuits	Dim A	Dim B	Circuits	Dim A	Dim B
2	2.54(.100)	5.98(.235)	10	22.86(.900)	26.30(1.035)
3	5.08(.200)	8.52(.335)	11	25.40(1.000)	28.84(1.135)
4	7.62(.300)	11.06(.435)	12	27.94(1.100)	31.38(1.235)
5	10.16(.400)	13.60(.535)	13	30.48(1.200)	33.92(1.335)
6	12.70(.500)	16.14(.635)	14	33.02(1.300)	36.46(1.435)
7	15.24(.600)	18.68(.735)	15	35.56(1.400)	39.00(1.535)
8	17.78(.700)	21.22(.835)	16	38.10(1.500)	41.54(1.635)
9	20.32(.800)	23.76(.935)	18	43.18(1.700)	46.62(1.835)

RoHS Compliant

TOLERANCES ARE

MORETHANALL
PCB CONNECTORS
Cable ASSEMBLIES

DRAWING BY CY

CHECKED BY GENIUS

UNIT / mm

SCALE 1 : 1

DATE

SIZE A4

PPOJECTION

X, ±
X, ±
.XX ±
.XXX ±
ANG ±

照片框

ORDER INFORMATION

MK-HIxx-xx-LF
SERIES | LEADFREE
| 02-18WAY
| 24-24 AWG
| 26-26 AWG
HOUSING/IDC

煜倫股份有限公司

www.morethanall.com

DESCRIPTION: