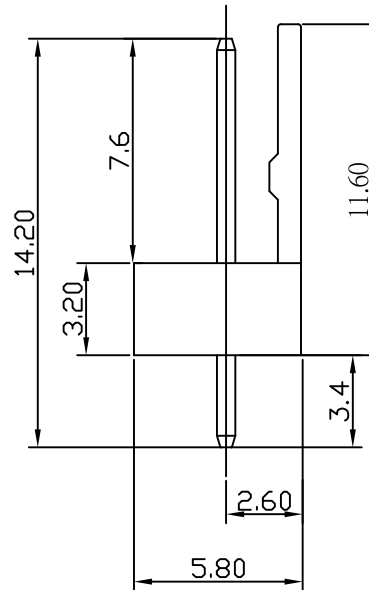
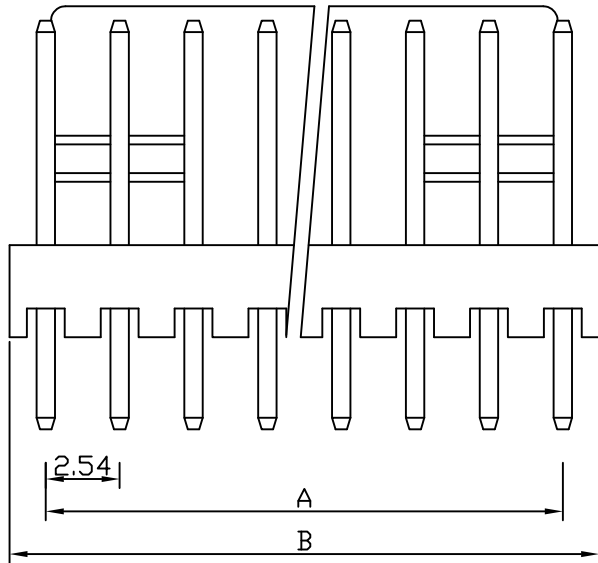
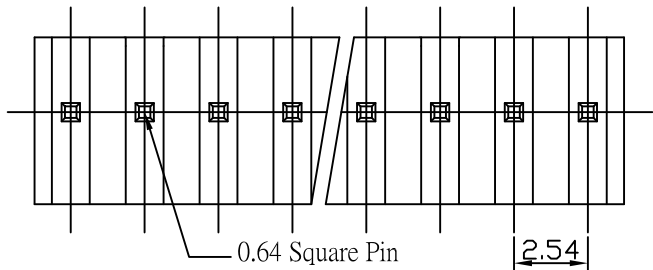


Specifications

Current Rating: 3A AC, DC
 Voltage Rating: 250 AC Maximum
 Operating Temp: -25°C ~ + 85°C
 Contact Resistance: 10mΩ Max
 Insulation Resistance: 1000MΩ Min
 Terminal Material: Brass/ Tin-plated/ Gold-plated
 Material: Nylon 66, UL94V-0+GF



Poles	Dimension mm (in.)		Part No.	Note.
	A	B		
2	2.54(0.100)	5.12(0.202)		
3	5.08(0.200)	7.66(0.302)		
4	7.62(0.300)	10.20(0.402)		
5	10.16(0.400)	12.74(0.502)		
6	12.70(0.500)	15.30(0.602)		
7	15.24(0.600)	17.94(0.706)		
8	17.78(0.700)	20.48(0.806)		



RoHS Compliant

TOLERANCES ARE

MORETHANALL
 PCB CONNECTORS
 Cable ASSEMBLIES

DRAWING BY CY

CHECKED BY GENIUS

UNIT / mm

SCALE 1 : 1

DATE

SIZE A4

X. ±
 .X ± 0.35
 .XX ± 0.25
 .XXX ±
 ANG ±

PJECTION

照片框

ORDER INFORMATION

MK-DV0-xx-LF
 SERIES | LEADFREE
 94V-0
 DIP 180°

煜倫股份有限公司

www.morethanall.com

DESCRIPTION: 2.54mm Wire-to-Board Header DIP 180° Type