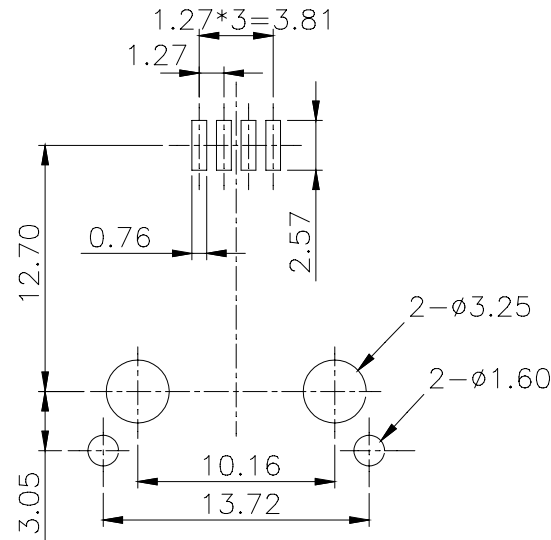
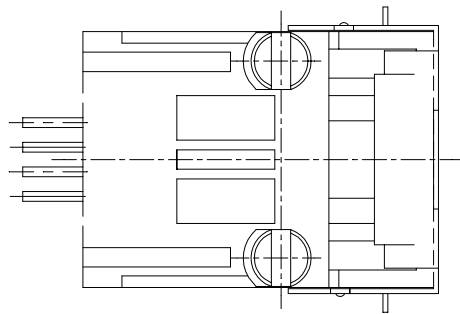


PCB LAYOUT/TOP VIEW



MATERIALS:

PLASTIC HOUSING: HIGH TEMP. THERMOPLASTIC
FLAMMABILITY RATING UL 94V-0.

CONTACTS: PHOSPHOR BRONZE

PLATING: GOLD PLATING OVER NICKEL IN CONTACT?
TIN PLATING OVER NICKEL IN SOLDER AREA.

SHIELDED: BRASS (t=0.25mm) WITH NICKEL PLATED

RoHS Compliant

TOLERANCES ARE

MORETHANALL
PCB CONNECTORS
Cable ASSEMBLIES

DRAWING BY CY

X.±

CHECKED BY GENIUS

.X±

UNIT / mm SCALE 1 : 1

.XX±

DATE

.XXX±

ANG±

SIZE A4

PJECTION

照片框

ORDER INFORMATION

MJWM13-KE15A3-0604-LF

SERIES

13

KE

15

A3

06

04

LF

LEADFREE

6P4C

FRONT TAB 3.05mm

15u" GOLD

EAR

BLACK

DESCRIPTION: 10 & 8 POSITION, SHIELDED, SMT-TYPE LOW PROFILE, SIDE ENTRY PCB JACK

煜倫股份有限公司

www.morethanall.com