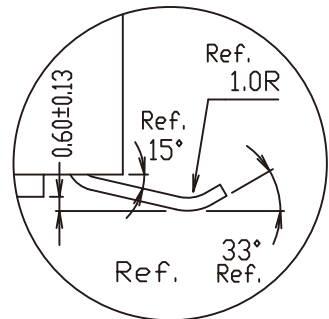
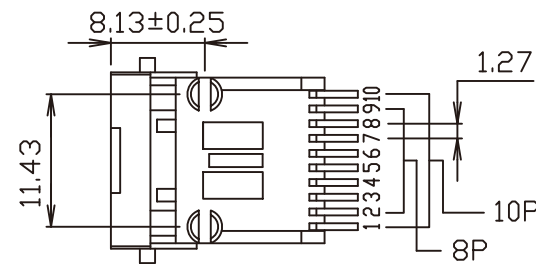
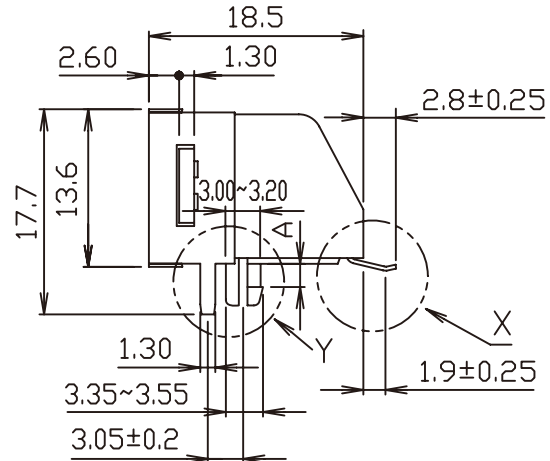
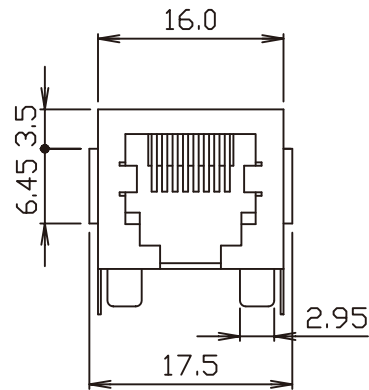


DETAIL Y



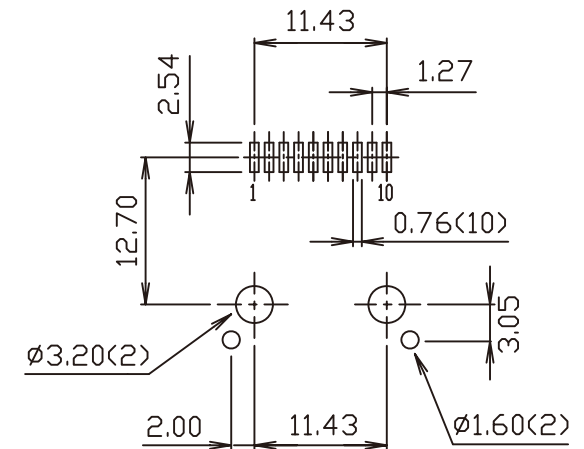
DETAIL X



MATERIAL:

- HOUSING-DSM STANYL TE250F6 (NYLON-46)
HEAT DEFLECTION TEMP.290°
BLACK COLOR, UL94V-0
- CONTACTS-0.35mm THICK PHOS-BRONZE
PLATED WITH HARD GOLD AND
GOLD FLASH IN SOLDER AREA.
- SHIELD-0.25mm THICK COPPER ALLOY,
PLATED WITH NICKEL.

CAVITY CONFIRMS TO FCC RULES AND REGULATIONS
PART 68,SUBPART F.



PC Board Layout
Ref.

RoHS Compliant

TOLERANCES ARE

MORETHANALL
PCB CONNECTORS
Cable ASSEMBLIES

煜倫股份有限公司

www.morethanall.com

DRAWING BY CY

CHECKED BY GENIUS

UNIT / mm SCALE 1 : 1

DATE

SIZE A4

X. ±
.X ±
.XX ±
.XXX ±
ANG ±

P PROJECTION

照片框

ORDER INFORMATION

MJWM13-KE06A3-xxxx-LF

SERIES

LEADFREE

0808:8P8C

1010:10P10C

FRONT TAB 3.05mm

BLACK 06u" GOLD

EAR

DESCRIPTION: 10 & 8 POSITION, SHIELDED, SMT-TYPE LOW PROFILE, SIDE ENTRY PCB JACK