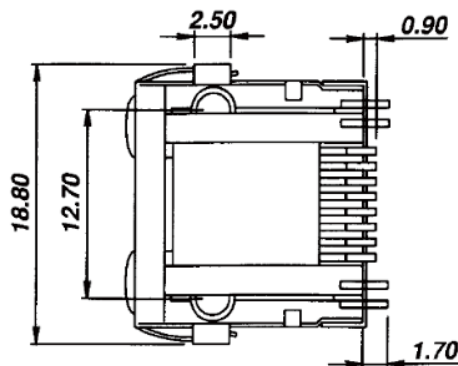


PCB LAYOUT
(Top View)



SPECIFICATION :

1. Electrical Char.

Insulation Resistance : 500M-Ohm Min.
 Contact Resistance : 20milli-Ohm Max.
 Rating Current : 1.5A Max.
 Rating Voltage : 120V AC.
 Dielectric Voltage : 1,000 Vrms 60 Sec. Min.

2. Physical char.

Housing : Nylon (UL 94V-0)
 Color : Black Color
 Spring Wire : 0.35mm Thickness Phosphor Bronze
 Gold Plating Over Nickel
 Temperature Range : - 25 /+90 Deg C
 Durability : 500 Mating cycles Min.

3. LED filings.

Forward DC Current : 2 mA
 Forward Voltage : 1.8 Volts Typical
 Reverse Voltage : 5 Volts Min.

RoHS Compliant

TOLERANCES ARE

MORETHANALL
PCB CONNECTORS
Cable ASSEMBLIES

煜倫股份有限公司

www.morethanall.com

DRAWING BY CY

CHECKED BY GENIUS

UNIT/ mm

SCALE 1 : 1

DATE

SIZE A4

P PROJECTION

X. ±
 .X ±
 .XX ±
 .XXX ±
 ANG ±

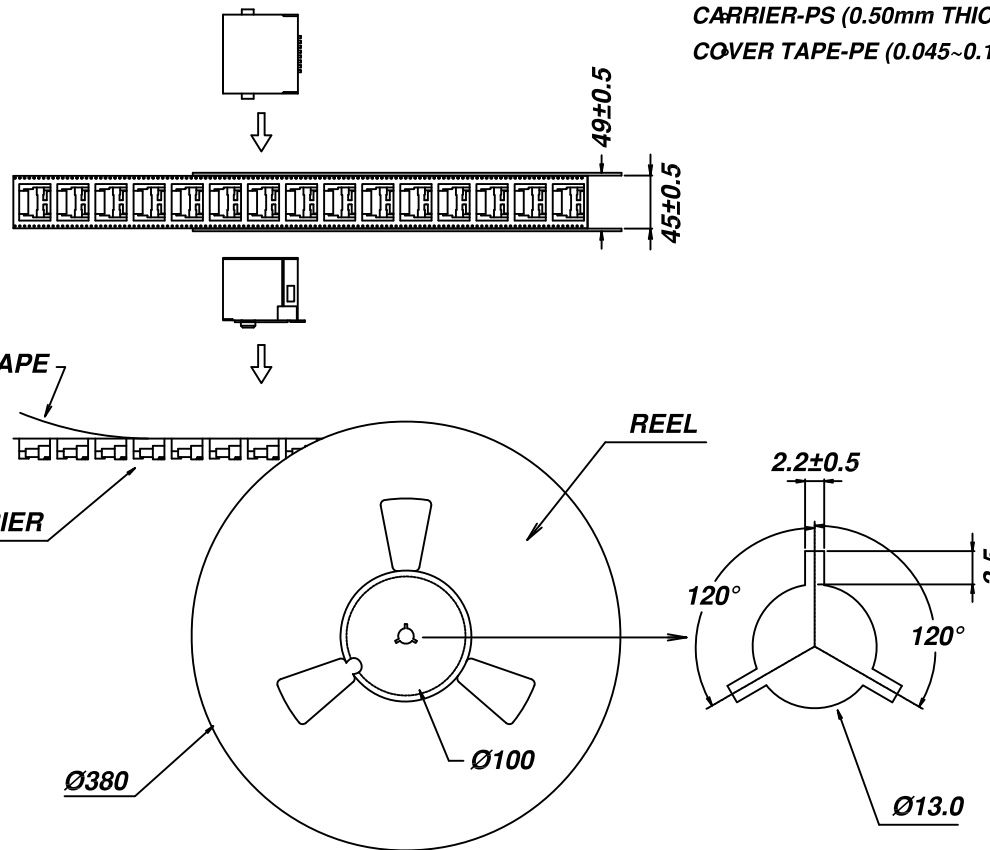
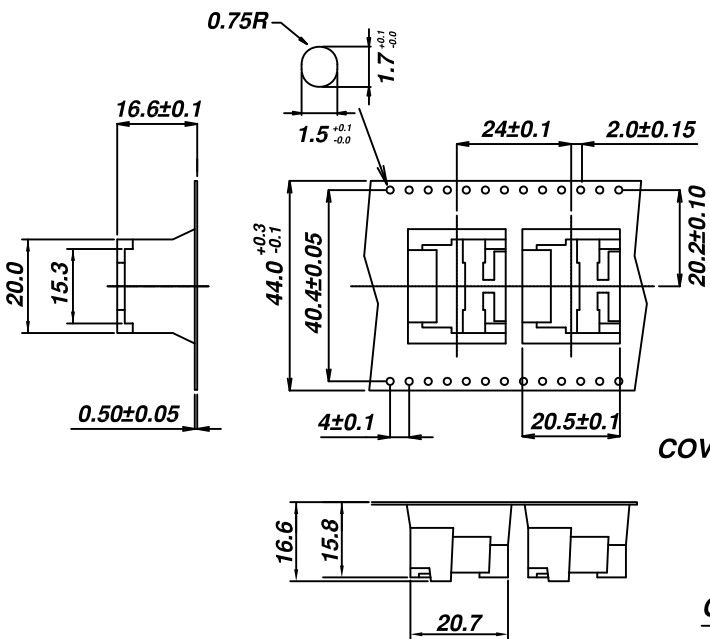
照片框

ORDER INFORMATION

MJWF13UL-KFxxEP1xxR-0808-LF

SERIES | EAR+POST/1 | REEL | 8P8C | LEADFREE
 BLACK | 06:06u" GOLD | LED1 | LED2
 FULL SPRING | 10:10u" GOLD | YG:YELLOW / GREEN
 : | GY: GREEN / YELLOW

DESCRIPTION:



MATERIALS:
 REEL-2mm THICK PLASTIC WHEEL.
 CARRIER-PS (0.50mm THICK TAPE).
 COVER TAPE-PE (0.045~0.12mm THICK TAPE).

NOTES:

- A. THE DIRECTION OF JACKS PUT INTO CARRIER.
- B. 10 EMPTY CAVITIES FOR BOTH OF TOP AND BOTTOM OF THE CARRIER.
- C. 200 PCS PRODUCTS BE PACKAGED ONE REEL.
- D. CARTON SIZE: 395(L)X390(W)X315(H)
 6 REEL/CARTON
 TOTAL: 1200 PCS

MORETHANALL
 PCB CONNECTORS
 Cable ASSEMBLIES

煜倫股份有限公司

www.morethanall.com

RoHS Compliant

DRAWING BY CY

CHECKED BY GENIUS

UNIT/mm

SCALE 1:1

DATE

SIZE A4

TOLERANCES ARE

X. ±
 .X ±
 .XX ±
 .XXX ±
 ANG ±

P PROJECTION

照片框

ORDER INFORMATION

MJWF13UL-KFxxEP1xxR-0808-LF

SERIES | EAR+POST/1 | REEL | 8P8C | LEADFREE
 BLACK | 06:06u" GOLD | LED1 | LED2
 FULL SPRING | 10:10u" GOLD | YG: YELLOW / GREEN
 : | GY: GREEN / YELLOW

DESCRIPTION: