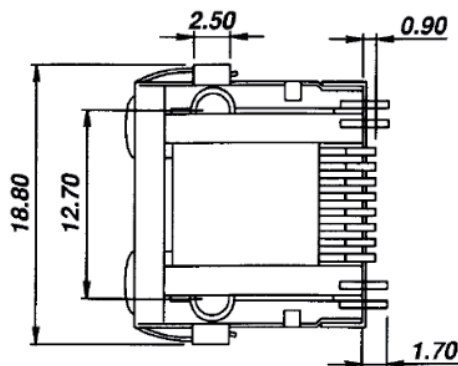


**PCB LAYOUT**  
( Top View )



## SPECIFICATION :

### 1. Electrical Char.

Insulation Resistance : 500M-Ohm Min.  
 Contact Resistance : 20milli-Ohm Max.  
 Rating Current : 1.5A Max.  
 Rating Voltage : 120V AC.  
 Dielectric Voltage : 1,000 Vrms 60 Sec. Min.

### 2. Physical char.

Housing : Nylon (UL 94V-0)  
 Color : Black Color  
 Spring Wire : 0.35mm Thickness Phosphor Bronze  
 Gold Plating Over Nickel  
 Temperature Range : - 25 /+90 Deg C  
 Durability : 500 Mating cycles Min.

### 3. LED filings.

Forward DC Current : 2 mA  
 Forward Voltage : 1.8 Volts Typical  
 Reverse Voltage : 5 Volts Min.

**RoHS Compliant**

TOLERANCES ARE

**MORETHANALL**  
PCB CONNECTORS  
Cable ASSEMBLIES

DRAWING BY CY

CHECKED BY GENIUS

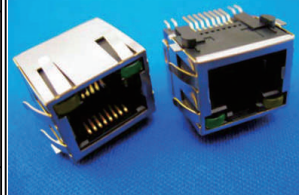
UNIT/ mm SCALE 1:1

DATE

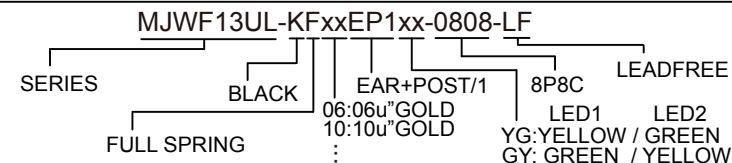
SIZE A4

X. ±  
 .X ±  
 .XX ±  
 .XXX ±  
 ANG ±

P PROJECTION



**ORDER INFORMATION**



煜倫股份有限公司

www.morethanall.com

DESCRIPTION: