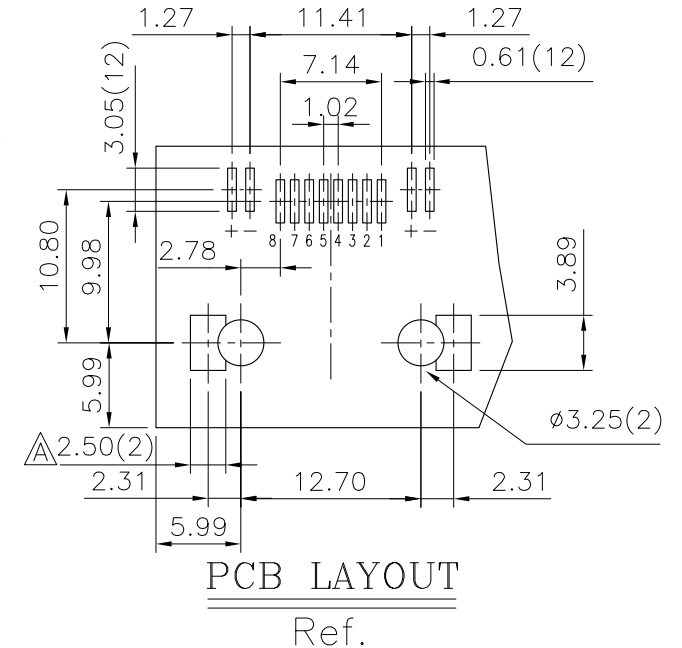
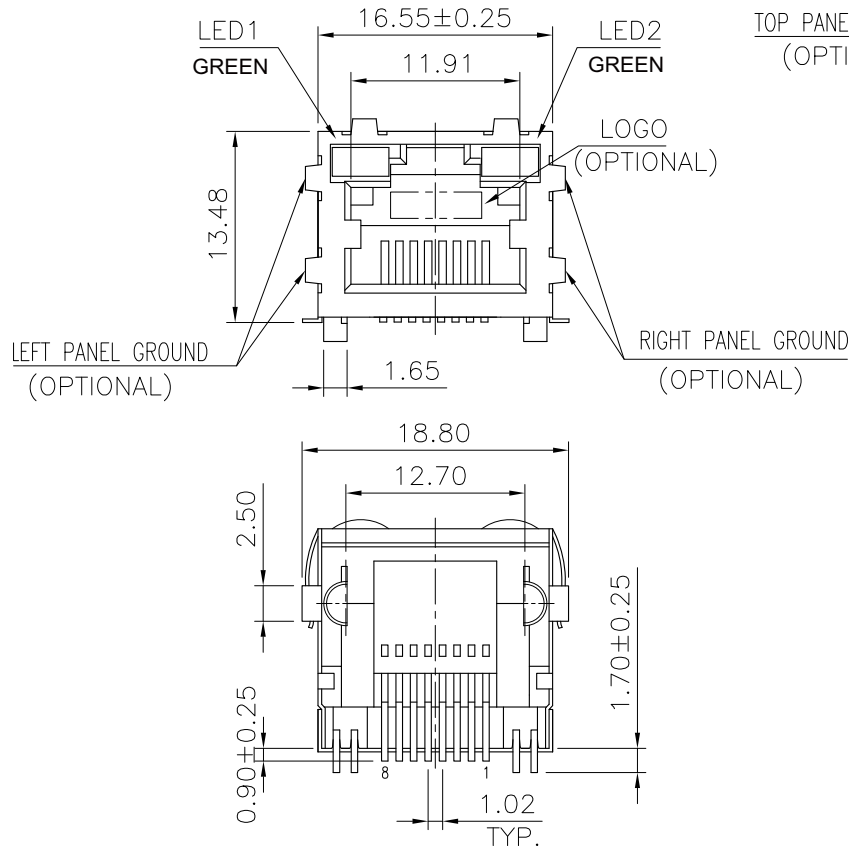


REVISIONS			
LTR	DESCRIPTION	DATE	APP
△	ADD	05/10/'07	CHANG

MATERIAL:

- HOUSING-PA9T GN2330  
HEAT RESISTANT PLOYAMIDE RESIN  
BLACK COLOR, UL94V-0
  - INSERT HOUSING-PA9T GN2330  
HEAT RESISTANT PLOYAMIDE RESIN  
BLACK COLOR, UL94V-0  
OR-DSM STANYL TE250F6 (NYLON-46)  
HEAT DEFLECTION TEMP.290°  
BLACK COLOR, UL94V-0.
  - CONTACTS-0.35mm THICK PHOS-BRONZE PLATED  
WITH HARD GOLD AND GOLD FLASH IN  
SOLDER AREA.
  - SHIELD-0.25mm THICK COPPER ALLOY,  
PLATED WITH NICKEL.
- CAVITY CONFIRMS TO FCC RULES AND REGULATIONS  
PART 68,SUBPART F.



RoHS Compliant

TOLERANCES ARE



煜倫股份有限公司

www.morethanall.com

DRAWING BY CY

CHECKED BY GENIUS

UNIT / mm SCALE 1:1

DATE

SIZE A4

X.±  
.X±  
.XX±  
.XXX±  
ANG±

PJECTION

照片框

ORDER INFORMATION

MJWF13UL-KF06EP1GG-0808

SERIES 8P8C  
GREEN / GREEN  
EAR+POST  
BLACK 06u" GOLD FULL SPRING

DESCRIPTION: MODULAR JACK, RJ45, WITH LED'S SHIELDED, SMT TYPE, SIDE ENTRY