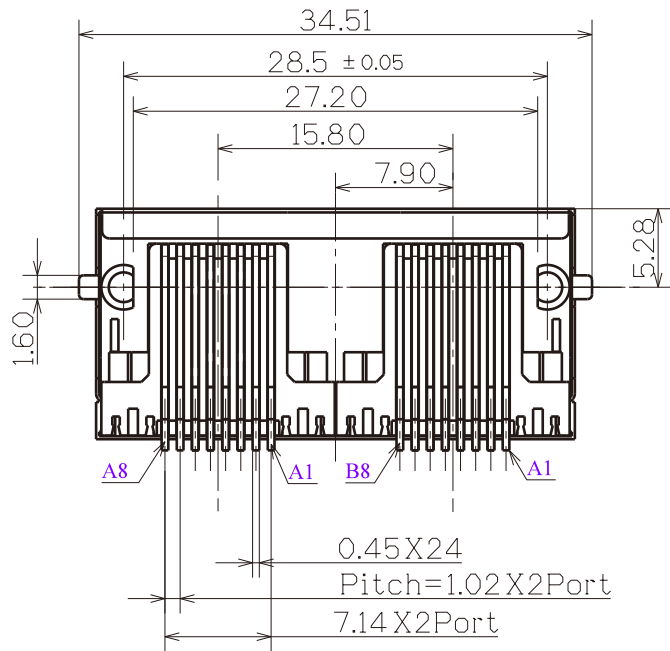
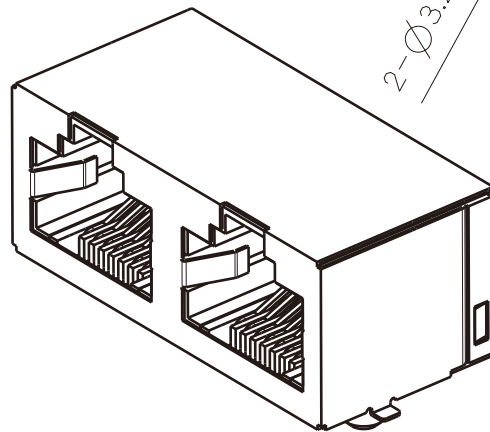


PCB LAYOUT (TOP VIEW)



- Material**  
Housing : 9T Polyester UL-94V-0 Mixed Glass Fiber.  
Standard Color Fiber.  
Contact : 0.35mm Thick Phosphor Bronze Plated With Nickel.  
Contact Plated : Gold 3u".  
Shield : 0.25mm Thick Copper Alloy Plated With Nickel.
- Electrical:**  
1. Current Rating : 1.5 A.  
2. Voltage Rating : 150 VAC.  
3. Contact Resistance : 30mΩ Max..  
4. Insulation Resistance : 500MΩ Min.  
5. Dielectric Withstanding Voltage : 500 VAC 1minute..

RoHS Compliant

TOLERANCES ARE



煜倫股份有限公司

www.morethanall.com

DRAWING BY CY

CHECKED BY GENIUS

UNIT / mm

SCALE 1 : 1

DATE

SIZE A4

X, ±  
X ± 0.50  
.XX ± 0.25  
.XXX ±  
ANG ±

PJECTION

照片框

ORDER INFORMATION

MJWF13UA2-KX03EP1-0808-LF

SERIES

LEADFREE  
8P8C  
EAR+POST  
03u" GOLD  
NON EAR  
BLACK

DESCRIPTION: