

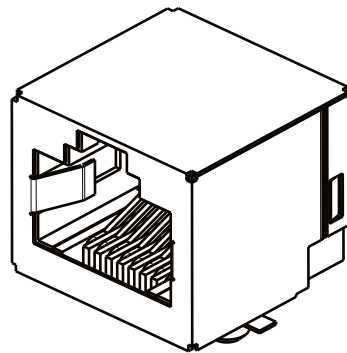
PCB LAYOUT (TOP VIEW)

MATERIAL AND FINISH

HOUSING : 9T POLYESTER UL-94V-0 MIXED GLASS FIBER.  
 STANDARD COLOR FIBER.  
 CONTACT : 0.35mm THICK PHOSPHOR BRONZE PLATED WITH NICKEL.  
 CONTACT PLATED : GOLD 3u".  
 SHIELD : 0.25mm THICK COPPER ALLOY PLATED WITH NICKEL.

ELECTRICAL:

1. CURRENT RATING : 1.5 AMP.
2. VOLTAGE RATING : 150 VAC.
3. CONTACT RESISTANCE : 20 MILLIOHMS MAX.
4. INSULATION RESISTANCE : 500 MILLIOHMS MIN.
5. DIELECTRIC WITHSTANDING VOLTAGE : 1000 VAC, 1MIN.



RoHS Compliant

TOLERANCES ARE

**MORETHANALL**  
 PCB CONNECTORS  
 Cable ASSEMBLIES

煜倫股份有限公司

www.morethanall.com

DRAWING BY CY

CHECKED BY GENIUS

UNIT / mm

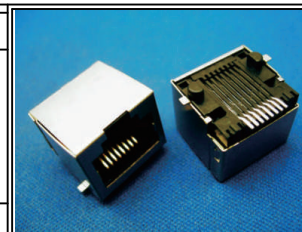
SCALE 1 : 1

DATE

SIZE A4

PPOJECTION

X. ±  
 .X ±  
 .XX ±  
 .XXX ±  
 ANG ±



ORDER INFORMATION

MJWF13U-KX03EP2-0808-LF  
 SERIES | 8P8C LEADFREE  
 EAR+POST  
 03u" GOLD  
 NON EAR  
 BLACK

DESCRIPTION: