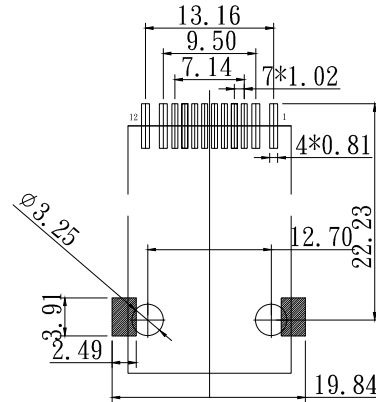
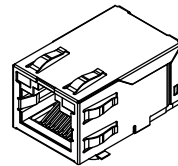
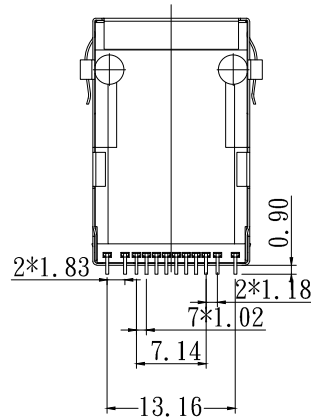
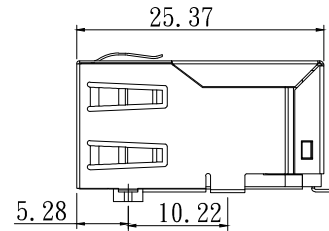
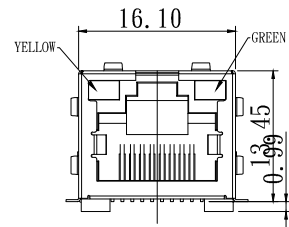


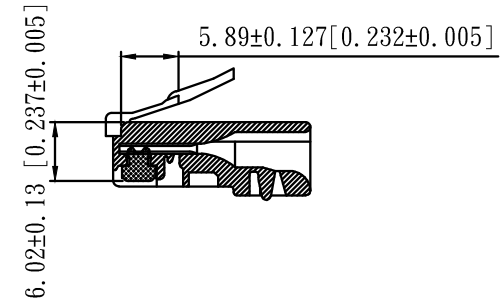
# 1. MECHANICAL DIMENSIONS :



Recommended hole pattern  
viewed form component side

# 2. PCB LAYOUT :

# RECOMMENED PLUG DIMENSION:



## NOTES:

### 1. MATERIAL:

HOUSING: HIGH TEMPERATURE LCP UL94V-0 BLACK

CONTACTS: T=0.35mm, PHOSPHOR BRONZE,  
NICKEL 50u"MIN UNDERPLATE ON ALL AREA,  
TIN 80u"MIN ON TERMINATION END,  
6U GOLD ON CONTACT AREA.

SHIELD: T=0.20mm, NICKEL 50u"MIN PLATING

2. OPERATING TEMPERATURE : -40°C~85°C

STARAGE TEMPERATURE : -40°C~85°C

3. CAVITY CONFORMS TO FCC RULES AND REGULATIONS

PART 68, SUBPART F.

RoHS Compliant

TOLERANCES ARE

**MORETHANALL**  
PCB CONNECTORS  
Cable ASSEMBLIES

DRAWING BY CY

CHECKED BY GENIUS

UNIT / mm

SCALE 1 : 1

DATE

SIZE A4

X, ±  
.X ± 0.25  
.XX ± 0.15  
.XXX ± 0.05  
ANG ±

PPOJECTION

照片框

## ORDER INFORMATION

MJWF13T58UL-KF06EP1YG-0808-LF

SERIES

BLACK

06u" GOLD

EAR+POST

FULL SPRING

8P8C

YELLOW/GREEN

LEADFREE

8P8C

YELLOW/GREEN

LEADFREE

LEADFREE

煜倫股份有限公司

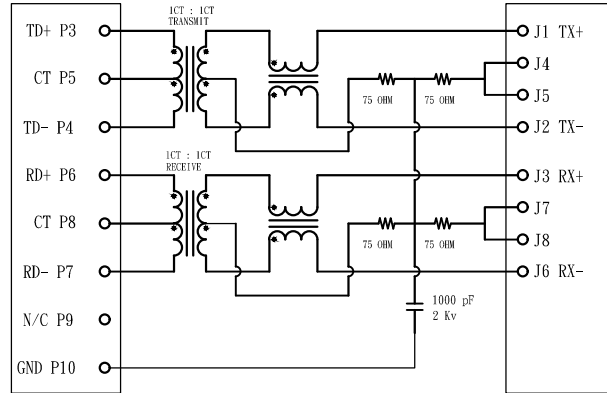
www.morethanall.com

DESCRIPTION: Connectors, W/T LED, 8P, 8C, 10/100 Mbps /FILTER

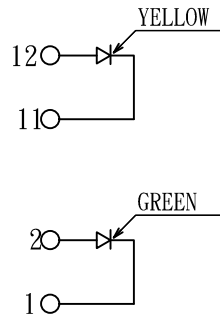
### 3. SCHEMATIC:

CONNECTOR SOLDER SIDE

RJ45 CONTACT SIDE



### 5. LED CONFIGURATION :



### 4. ELECTRICAL CHARACTERISTICS :

TEST NOTES: (25±5°C)

1. TR: (100kHz, 0.1V);

INPUT TO OUTPUT=1:1±3%

2. LX: (100kHz, 100mV, 8mA, DC Bias)

350uH MINIMUM

3. DCR:

1.2 OHMS MAXIMUM

4. HIPOT:

INPUT TO OUTPUT=1500VAC FOR 60 SECONDS

5. INSERTION LOSS:

-1.0dB MAXIMUM AT 0.3MHz TO 100MHz;

6. RETURN LOSS:

-20dB MINIMUM AT 1MHz TO 30MHz;

-15dB MINIMUM AT 30MHz TO 60MHz

-10dB MINIMUM AT 60MHz TO 80MHz

7. CROSS TALK:

-30dB MINIMUM AT 1MHz TO 100MHz

8. COMMON TO COMMON MODE REJECTION:

-30dB MINIMUM AT 1MHz TO 100MHz

RoHS Compliant

TOLERANCES ARE

**MORETHANALL**  
PCB CONNECTORS  
Cable ASSEMBLIES

DRAWING BY CY

X. ±

CHECKED BY GENIUS

.X ± 0.25

UNIT / mm

SCALE 1:1

.XX ± 0.15

DATE

.XXX ± 0.05

ANG ±

SIZE A4

PJECTION

照片框

ORDER INFORMATION

MJWF13T58UL-KF06EP1YG-0808-LF

SERIES

|

|

|

|

|

|

|

|

|

|

|

|

|

|

|

|

|

|

|

|

|

|

LEADFREE

8P8C

YELLOW/GREEN

EAR+POST

06u" GOLD  
FULL SPRING

煜倫股份有限公司

www.morethanall.com

DESCRIPTION: Connectors, W/T LED, 8P, 8C, 10/100 Mbps /FILTER