

PCB Layout

NOTE:

1. Shielded - 0.20mm THICKNESS BRASS C2680 H. PLATING NICKEL 30u"-50u".
2. Housing- Standard Material FR52, Glass Filled Polyester UL94V-0 Standed Color Black.
3. RJ Terminal- Plastic: FR52, UL94V-0, Standard Color Black. Pin: 0.35mm Thickness Phos-Bronze C5210 EH. Plating: Nickel 40u"~60u" for all and Sn 100% , and Gold Plating.
4. Input Terminal- FR52, Glass Filled, UL94V-0, Standard Color Black. Pin: 0.35mm Thickness Phos-Bronze C5191. Plating: Nickel 40u"~60u" for all and Sn 100%.

RoHS Compliant

TOLERANCES ARE

MORETHANALL
PCB CONNECTORS
Cable ASSEMBLIES

DRAWING BY CY

CHECKED BY GENIUS

UNIT / mm

SCALE 1 : 1

DATE

SIZE A4

X, ±
.X ±
.XX ±
.XXX ±
ANG ±

P PROJECTION

照片框

ORDER INFORMATION

MJWF13T56UL-KX06NX1YGR-0808

SERIES
BLACK
NON EAR

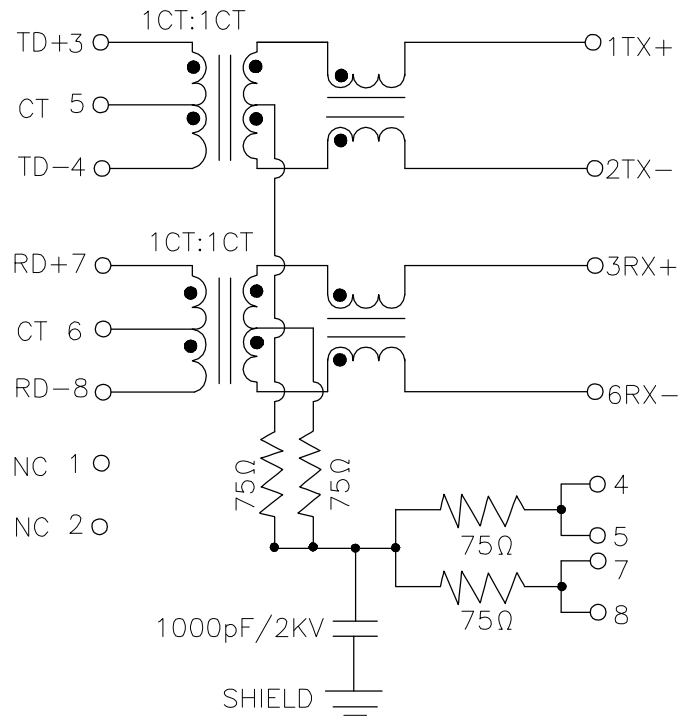
REEL
YELLOW / GREEN
NON POST
INNER EAR

8P8C
06u" GOLD

煜倫股份有限公司

www.morethanall.com

DESCRIPTION:



ELECTRICAL SPECIFICATIONS@25°C:

Turn Ratio($\sqrt{2}$): 1:1

INSERTION LOSS (1-100MHz): -1.0dB MAX.

Return Loss (dB MIN): -18dB(1-30MHz)

-[18-20LOG(F/30MHz)dB (30-60MHz), -12dB(60-80MHz)]

Cross talk (dB MIN): -50dB(0.5-1MHz), -50dB(10MHz)

-40dB (30MHz), -35dB (50MHz), -30dB (100MHz)

CMR(dB MIN): -50dB(0.3-1MHz), -47dB(10MHz)

-42dB (30MHz), -37dB (60MHz), -30dB (100MHz)

CDMR(dB MIN): -50dB(0.3-1MHz), -50dB(10MHz)

-50dB (30MHz), -45dB (60MHz), -40dB (100MHz)

HI-POT TEST: 1500Vrms/0.5mA/2Sec.

PRIMARY INDUCTANCE: 350uH MIN @100KHz/0.1V, 8mA

D.C.BIAS

RoHS compliance: YES

!Fowjsponfoubm;

1.Operating Temp: -20°C to +85°C.

2.MATES WITH MODULAR PLUG CONFORMING TO FCC PART 68,SUBPARTF.

Code	RJ45 Plating			LED Code				
	Contact Area	Solder tail	Under plating	Left LED		Right LED		
				+9,-10	-9,+10	+11,-12	-11,+12	
06	6μ" gold	150μ" Tin Min.	50μ" Nickel	YG	Yellow	-	Green	-

RoHS Compliant

TOLERANCES ARE

MORETHANALL
PCB CONNECTORS
Cable ASSEMBLIES

DRAWING BY CY

CHECKED BY GENIUS

UNIT / mm

SCALE 1:1

DATE

SIZE A4

X, ±

.X ±

.XX ±

.XXX ±

ANG ±

照片框

ORDER INFORMATION

MJWF13T56UL-KX06NX1YGR-0808

SERIES

BLACK

NON EAR

8P8C

REEL

YELLOW / GREEN

NON POST

INNER EAR

06u" GOLD

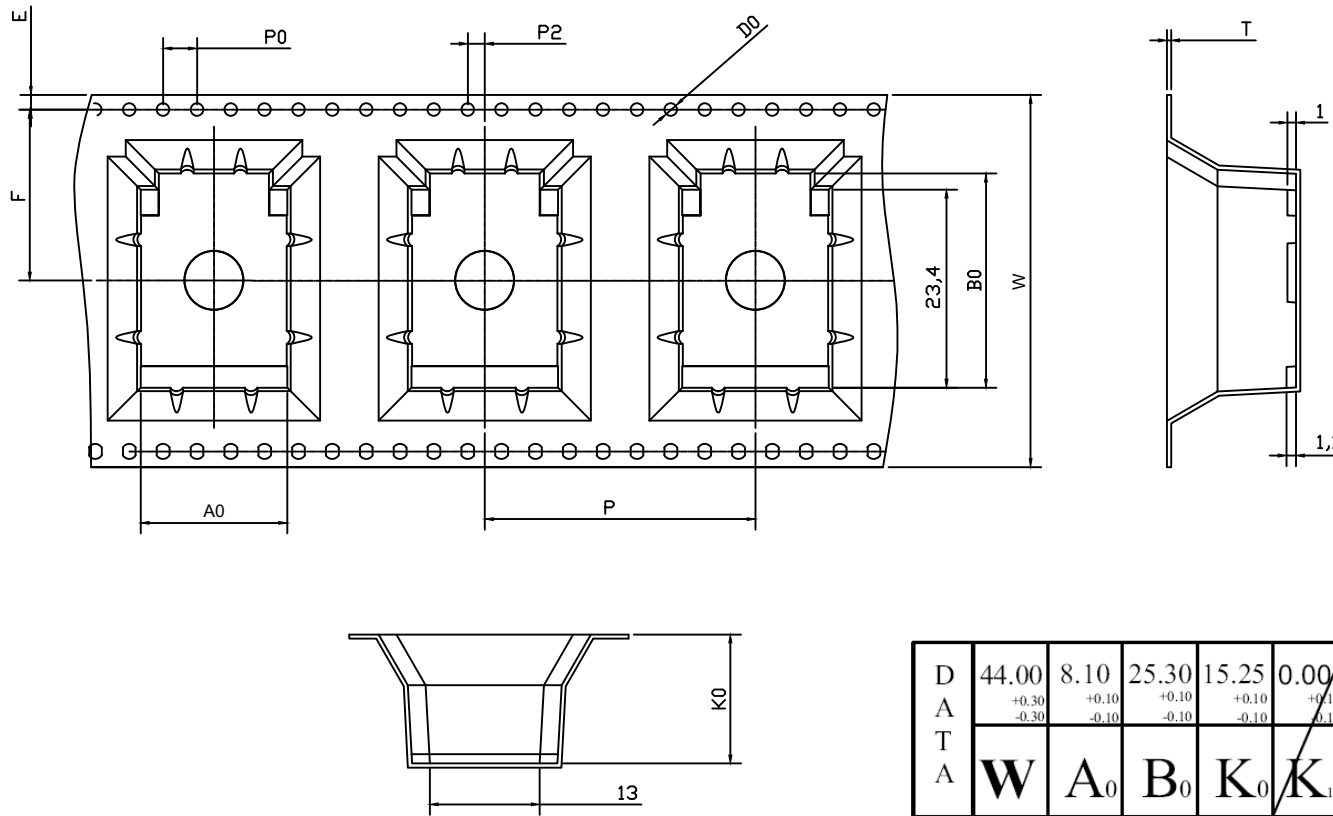
煜倫股份有限公司

www.morethanall.com

SIZE A4

PPOJECTION

DESCRIPTION:



D	44.00	8.10	25.30	15.25	0.00	1.75	20.2	32.00	4.00	2.00	1.50	0.00	0.50
A	+0.30	+0.10	+0.10	+0.10	+0.10	+0.10	+0.10	+0.10	+0.10	+0.10	+0.10	+0.10	+0.05
T	-0.30	-0.10	-0.10	-0.10	-0.10	-0.10	-0.10	-0.10	-0.10	-0.10	-0.00	0.00	-0.05
A	W	A₀	B₀	K₀	K₁	E	F	P	P₀	P₂	D₀	D₁	T

1. 10 sprocket hole pitch cumulative tolerance $\pm 0.20\text{mm}$.
2. Carrier camber not to exceed 1mm in 100mm.
3. A0 and B0 measured on a plane 0.3mm above the bottom of the pocket.
4. K0 measured from a plane on the inside bottom of the pocket to the top surface of the carrier.
5. Angle is not marked 3° .
6. All dimensions meet EIA-481-D requirements.
7. Material: BLACK Anti-Static Polystyrene.
8. Packing length per 13" reel : 3.2M+(0.30M the before and after)/R
9. Component load per 13" reel : 100pcs.

RoHS Compliant

TOLERANCES ARE

MORETHANALL
PCB CONNECTORS
Cable ASSEMBLIES

煜倫股份有限公司

www.morethanall.com

DRAWING BY CY

CHECKED BY GENIUS

UNIT / mm SCALE 1 : 1

DATE

SIZE A4

X, \pm

.X, \pm

.XX, \pm

.XXX, \pm

ANG, \pm

PPOJECTION

照片框

ORDER INFORMATION

MJWF13T56UL-KX06NX1YGR-0808

SERIES

BLACK
NON EAR

8P8C

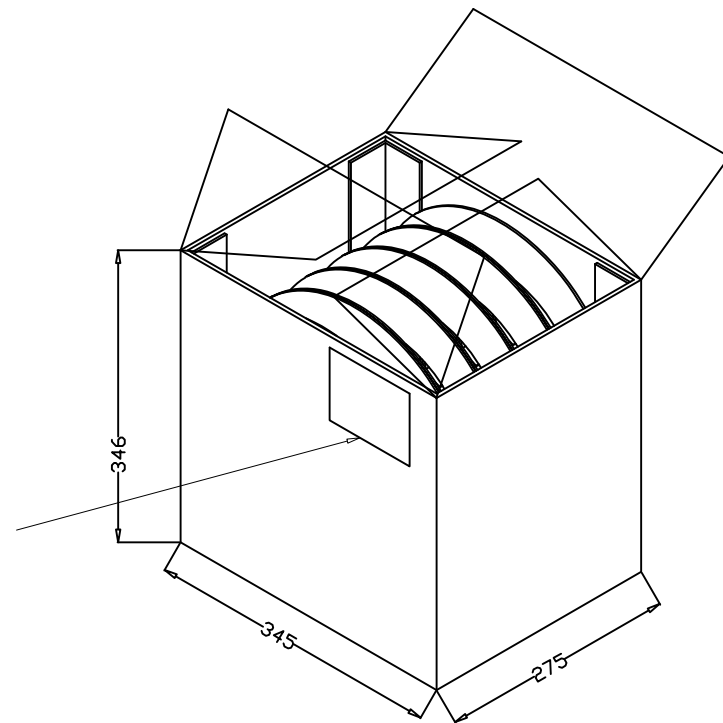
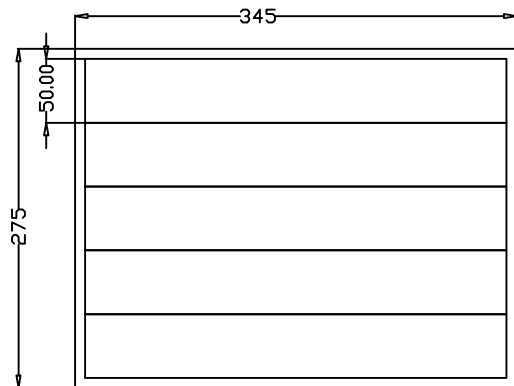
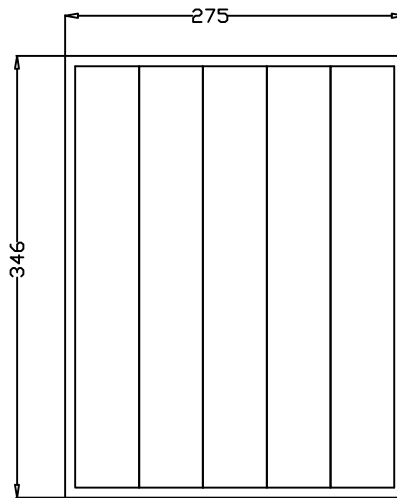
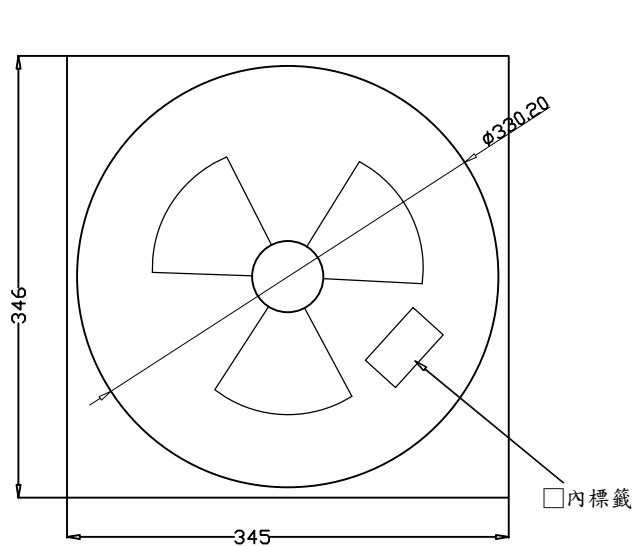
REEL

YELLOW / GREEN

NON POST
INNER EAR

06u" GOLD

DESCRIPTION:



整箱包装方式: 100pcs/盘x5盘/箱
=500pcs/箱

载带规格: 44*15.25mm (W*K0)

覆盖膜规格: 37mm (W)

卷盘规格: 330.2*49mm

纸箱规格: 345*275*346mm (外尺寸)

平卡规格: 335*260*3mm (2pcs平卡/箱)

防水袋: 550*600mm (1pc/箱)

直角板: 330*50*50mm (4PCS/箱)

RoHS Compliant

TOLERANCES ARE

MORETHANALL
PCB CONNECTORS
Cable ASSEMBLIES

DRAWING BY CY

X, ±

CHECKED BY GENIUS

.X ±

UNIT / mm

SCALE 1 : 1

.XX ±

DATE

.XXX ±

ANG ±

照片框

ORDER INFORMATION

MJWF13T56UL-KX06NX1YGR-0808

SERIES

BLACK
NON EAR

REEL

YELLOW / GREEN

NON POST
INNER EAR

06u" GOLD

8P8C

煜倫股份有限公司

www.morethanall.com

SIZE A4

PPOJECTION

DESCRIPTION: