

PCB Layout

NOTE:

1. Shielded - 0.20mm THICKNESS BRASS C2680 H. PLATING NICKEL 30u"-50u".
2. Housing- Standard Material FR52, Glass Filled Polyester UL94V-0 Standed Color Black.
3. RJ Terminal- Plastic: FR52, UL94V-0, Standard Color Black. Pin: 0.35mm Thickness Phos-Bronze C5210 EH. Plating: Nickel 40u"~60u" for all and Sn 100% , and Gold Plating.
4. Input Terminal- FR52, Glass Filled, UL94V-0, Standard Color Black. Pin: 0.35mm Thickness Phos-Bronze C5191. Plating: Nickel 40u"~60u" for all and Sn 100

RoHS Compliant

TOLERANCES ARE

MORETHANALL
PCB CONNECTORS
Cable ASSEMBLIES

DRAWING BY CY

CHECKED BY GENIUS

UNIT / mm

SCALE 1 : 1

DATE

SIZE A4

X. ±
.X ± 0.38
.XX ± 0.20
.XXX ± 0.10
ANG ±

P PROJECTION

照片框

ORDER INFORMATION

MJWF13T56UL-KX06NX1YG-0808

SERIES

8P8C

BLACK
NON SPRING

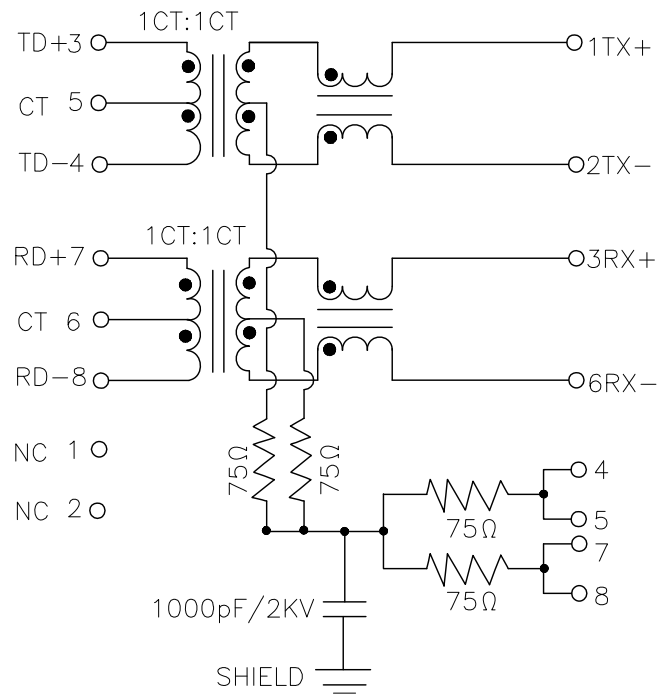
LEFT / RIGHT
YELLOW / GREEN

06u" GOLD INNER EAR

DESCRIPTION: RJ45 10/100 BASE-T 1x1 SMD JACK

煜倫股份有限公司

www.morethanall.com



ELECTRICAL SPECIFICATIONS@25°C:

Turn Ratio(±2%): 1:1

INSERTION LOSS (1-100MHz): -1.0dB MAX.

Return Loss (dB MIN): -18dB(1-30MHz)

-[18-20LOG(F/30MHz)]dB (30-60MHz), -12dB(60-80MHz)

Cross talk (dB MIN): -50dB(0.5-1MHz),-50dB(10MHz)

-40dB (30MHz), -35dB (50MHz), -30dB (100MHz)

CMR(dB MIN): -50dB(0.3-1MHz),-47dB(10MHz)

-42dB (30MHz), -37dB (60MHz), -30dB (100MHz)

CDMR(dB MIN): -50dB(0.3-1MHz),-50dB(10MHz)

-50dB (30MHz), -45dB (60MHz), -40dB (100MHz)

HI-POT TEST: 1500Vrms/0.5mA/2Sec.

PRIMARY INDUCTANCE: 350uH MIN @100KHz/0.1V, 8mA

D.C.BIAS

RoHS compliance: YES

Environmental:

1.Operating Temp: -20°C to +85°C.

2.MATES WITH MODULAR PLUG CONFORMING TO FCC PART 68,SUBPARTF.

Code	RJ45 Plating			LED Code				
	Contact Area	Solder tail	Under plating	Left LED		Right LED		
				+9,-10	-9,+10	+11,-12	-11,+12	
06	6μ" gold	150μ" Tin Min.	50μ" Nickel	YG	Yellow	-	Green	-

RoHS Compliant

TOLERANCES ARE

MORETHANALL
PCB CONNECTORS
Cable ASSEMBLIES

DRAWING BY CY

CHECKED BY GENIUS

UNIT / mm

SCALE 1:1

DATE

SIZE A4

X, ±
.X ± 0.38
.XX ± 0.20
.XXX ± 0.10
ANG ±

PPOJECTION

照片框

ORDER INFORMATION

MJWF13T56UL-KX06NX1YG-0808

SERIES

BLACK

NON SPRING

06u" GOLD

8P8C

LEFT / RIGHT

YELLOW / GREEN

NON POST

INNER EAR

煜倫股份有限公司

www.morethanall.com

DESCRIPTION: RJ45 10/100 BASE-T 1x1 SMD JACK