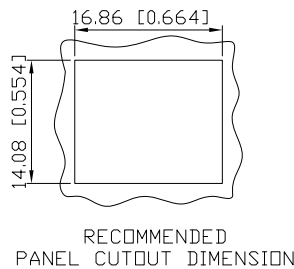
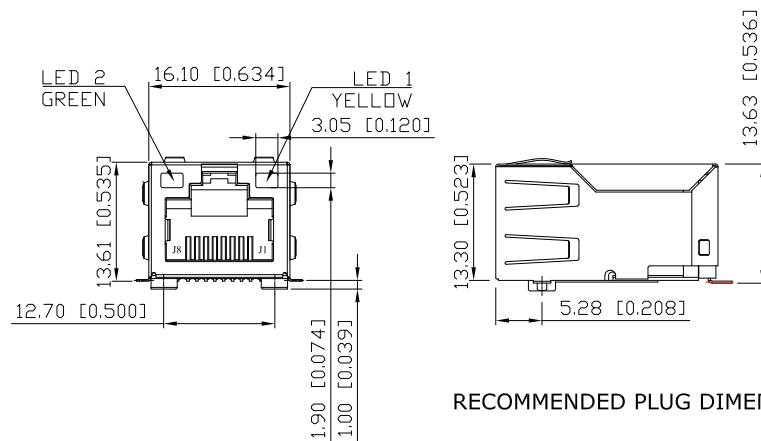
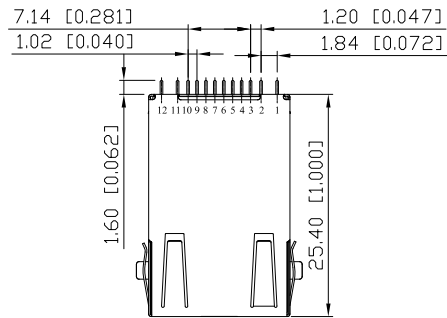
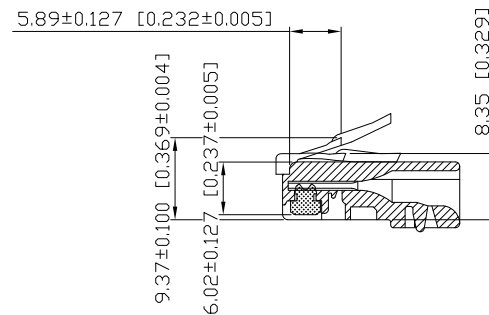


1. MECHANICAL DIMENSIONS :



RECOMMENDED PLUG DIMENSION:



NOTES:

- MATERIAL:
HOUSING: HIGH THERMOPLASTIC, UL94V-0, BLACK
CONTACTS: T=0.30mm PHOS-BRONZE,
6u" GOLD PLATING ON CONTACT AREA,
NICKEL UNDERPLATING OVERALL
SHIELD: T=0.20mm COPPER ALLOY, NICKEL PLATING
- OPERATING TEMPERATURE: 0°C~+70°C
- MATING FORCE: 4 POUNDS MAX.
UNMATING FORCE: 4 POUNDS MAX.
- DURABILITY: 750 MATING CYCLED MIN.
- CAVITY CONFORMS TO FCC RULES
AND REGULATIONS PART 68, SUBPART F.
- UNSPECIFIED TOLERANCE: .XX ±0.25[0.010]
.X ±0.30[0.012]

RoHS Compliant

TOLERANCES ARE

MORETHANALL
PCB CONNECTORS
Cable ASSEMBLIES

DRAWING BY CY

X, ±

CHECKED BY GENIUS

.X ±

UNIT / mm

SCALE 1 : 1

.XX ±

DATE

.XXX ±

ANG ±

SIZE A4

PJECTION

照片框

ORDER INFORMATION

MJWF13T56UL-KF06EP1GYR-0808-LF

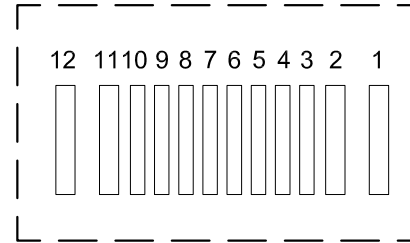
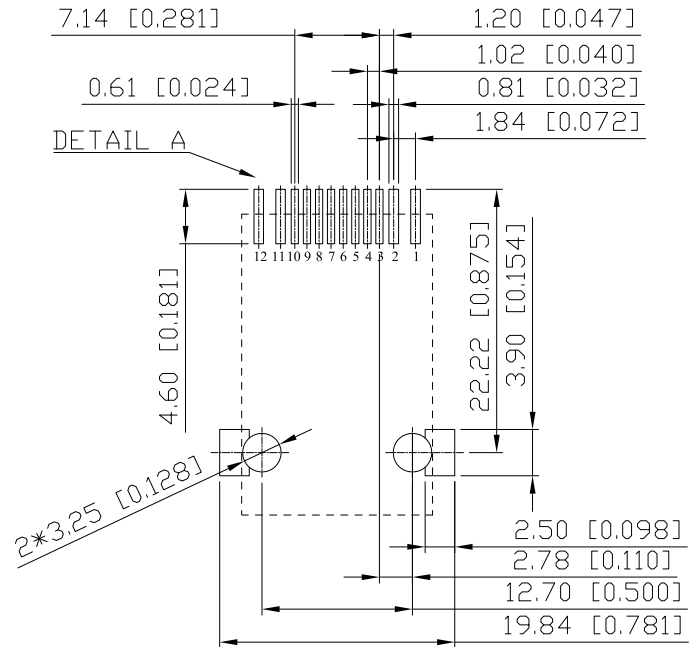


煜倫股份有限公司

www.morethanall.com

DESCRIPTION: RJ45, W/ 10/100 TRANSFORMER, W/LED, SHIELDED, SMT TYPE

2.PCB LAYOUT :



DETAIL A
SCALE 2:1

P#	DEFINITION
P1	RIGHT YE+
P2	RIGHT YE-
P3	TD+
P4	TD-
P5	CT
P6	CT
P7	RD+
P8	RD-
P9	NC
P10	GND
P11	LEFT GR-
P12	LEFT GR+

SUGGESTED PCB LAYOUT
(TOP VIEW)

DIMENSIONAL TOLERANCE: .XX ±0.08[0.003]

RoHS Compliant

TOLERANCES ARE

MORETHANALL
PCB CONNECTORS
Cable ASSEMBLIES

DRAWING BY CY

X.±

CHECKED BY GENIUS

.X±

UNIT / mm

SCALE 1:1

.XX±

DATE

.XXX±

ANG±

SIZE A4

PJECTION

照片框

ORDER INFORMATION

MJWF13T56UL-KF06EP1GYR-0808-LF

SERIES

REEL

8P8C

LEADFREE

BLACK
FULL SPRING

REEL

GREEN / YELLOW

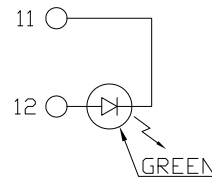
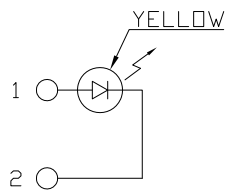
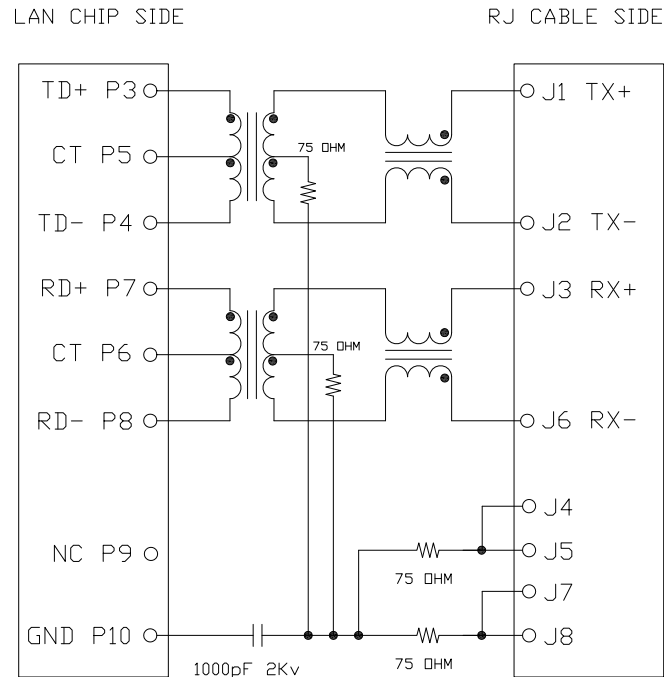
EAR+POST
06u" GOLD

煜倫股份有限公司

www.morethanall.com

DESCRIPTION: RJ45, W/ 10/100 TRANSFORMER, W/LED, SHIELDED, SMT TYPE

3.SCHEMATIC:



6

4. ELECTRICAL CHARACTERISTICS :

TEST NOTES:(25±5°C)

1. TR:
INPUT TO OUTPUT=1:1±3%
2. OCL: (100KHz, 100mV, 8mA, DC Bias)
350uH MINIMUM
3. DCR:
EVERY RJ PAIR=1.2 Ω MAXIMUM
4. INSERTION LOSS:
-1.0dB MAXIMUM AT 0.3MHz TO 100MHz
5. RETURN LOSS:
-20dB MINIMUM AT 1MHz TO 30MHz
-15dB MINIMUM AT 30MHz TO 60MHz
-10dB MINIMUM AT 60MHz TO 80MHz
6. CROSS TALK:
-30dB MINIMUM AT 1MHz TO 100MHz
7. CM TO CM MODE REJECTION:
-30dB MINIMUM AT 1MHz TO 100MHz
8. HIPOT:
INPUT(RJ SIDE) TO SHIELDING:
2250 VDC/60SEC

COLOR	VF(V) @20mA		IV(mcd) @20mA	IF(mA)	PEAK WAVE LENGTH λP(nm) @20mA
	TYP	MAX	TYP	TYP	TYP
YELLOW	2.2	2.6	15	20	588
GREEN	2.2	2.6	10	20	570

RoHS Compliant

TOLERANCES ARE

MORETHANALL
PCB CONNECTORS
Cable ASSEMBLIES

DRAWING BY CY

CHECKED BY GENIUS

UNIT / mm SCALE 1 : 1

DATE

SIZE A4

X, ±

.X ±

.XX ±

.XXX ±

ANG ±

PJECTION

照片框

ORDER INFORMATION

MJWF13T56UL-KF06EP1GYR-0808-LF

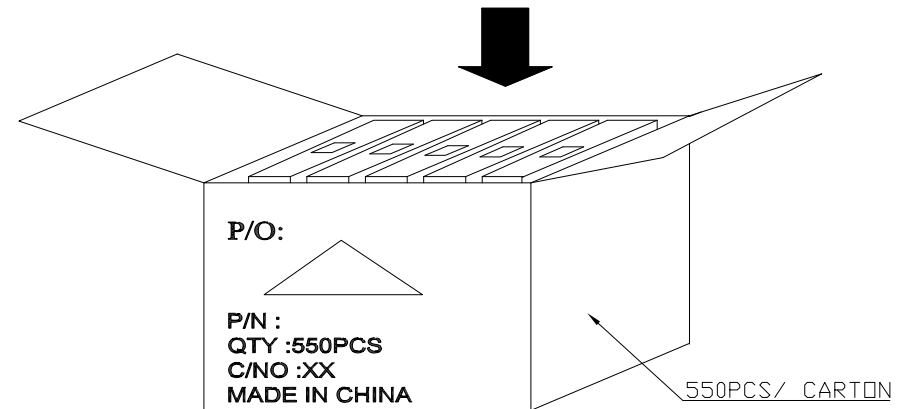
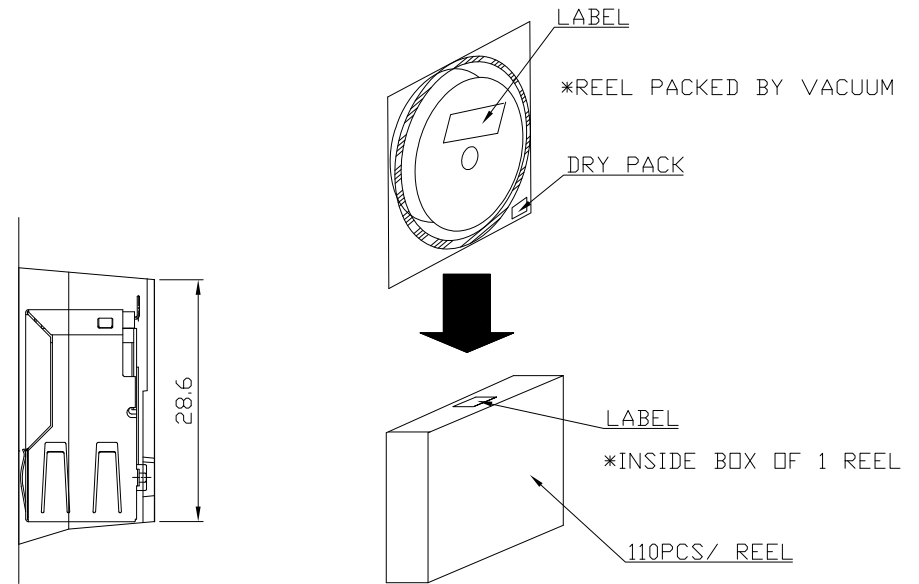
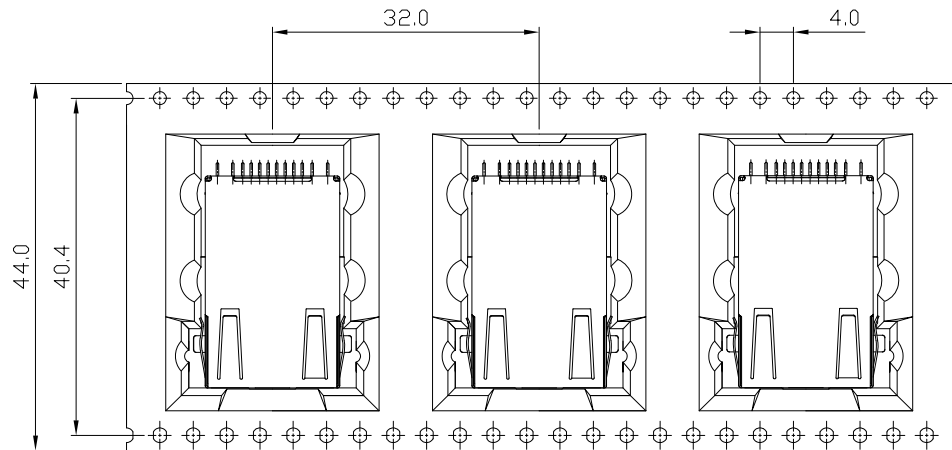
SERIES | REEL | LEADFREE
BLACK | GREEN / YELLOW
FULL SPRING | EAR+POST
06u" GOLD

DESCRIPTION: RJ45, W/ 10/100 TRANSFORMER, W/LED, SHIELDED, SMT TYPE

煜倫股份有限公司

www.morethanall.com

5.PACKING SPECIFICATION:



PACKING:

1. Tape & Reel : 110pcs / Reel , 550pcs / Carton
2. Dry Pack : 1pcs
 Product Description:(5g Silica Gel Desiccant)
 PH: 4-8
 Package Materials: Paper(Length 6.5±1cm , Width 5±1cm)
3. Reel Packed by Vacuum

RoHS Compliant

TOLERANCES ARE

MORETHANALL
 PCB CONNECTORS
 Cable ASSEMBLIES

煜倫股份有限公司

www.morethanall.com

DRAWING BY CY

CHECKED BY GENIUS

UNIT / mm SCALE 1 : 1

DATE

SIZE A4

X. ±
 .X ±
 .XX ±
 .XXX ±
 ANG ±

PJECTION

照片框

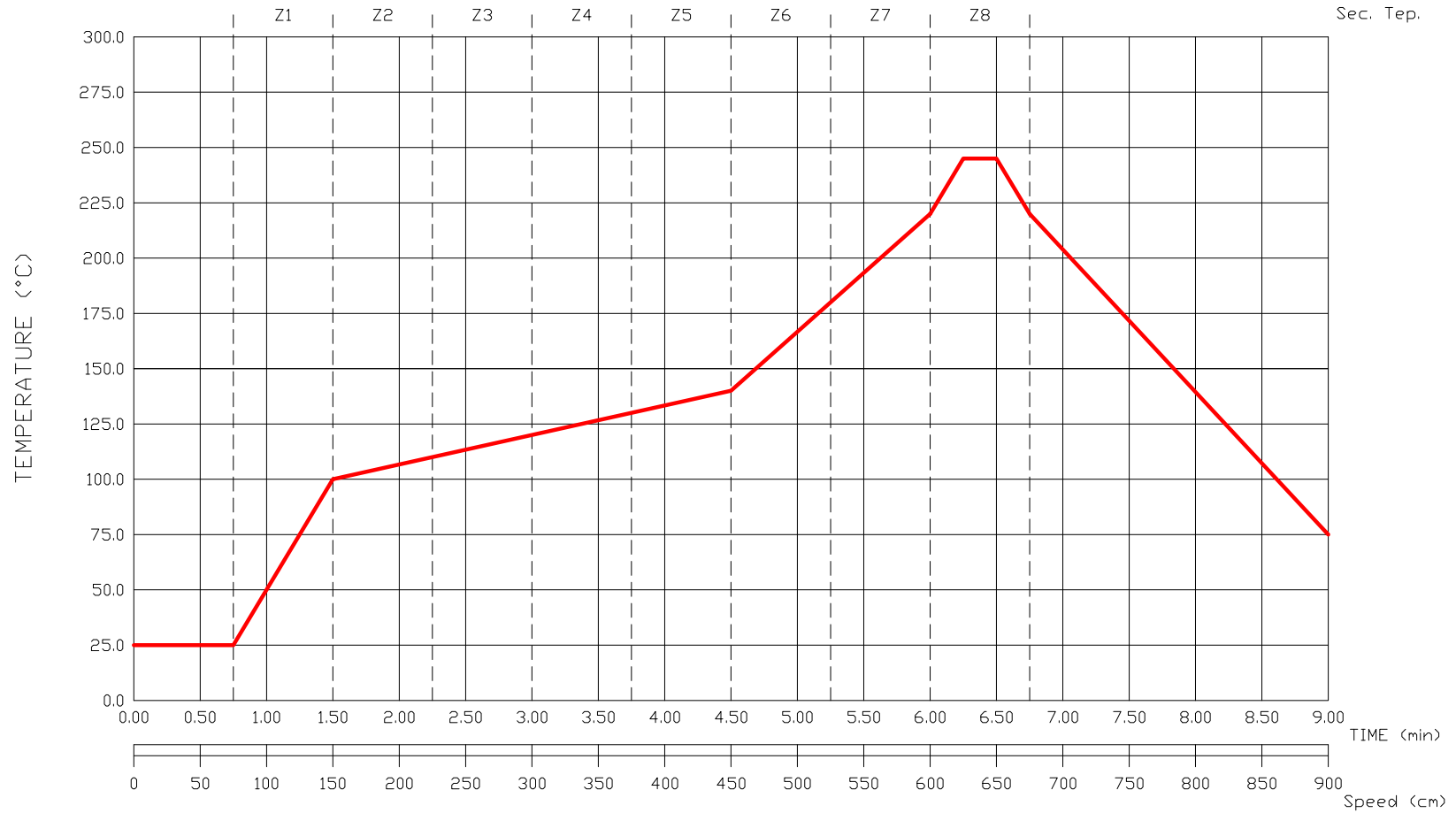
ORDER INFORMATION

MJWF13T56UL-KF06EP1GYR-0808-LF

SERIES
 BLACK FULL SPRING
 REEL
 GREEN / YELLOW
 8P8C
 LEADFREE
 EAR+POST
 06u" GOLD

DESCRIPTION: RJ45, W/ 10/100 TRANSFORMER, W/LED, SHIELDED, SMT TYPE

6. PROFILE OF REFLOW:



Ⓟ

RoHS Compliant

TOLERANCES ARE

MORETHANALL
PCB CONNECTORS
Cable ASSEMBLIES

DRAWING BY CY

X.±

CHECKED BY GENIUS

.X±

UNIT / mm

SCALE 1:1

.XX±

DATE

.XXX±

ANG ±

照片框

ORDER INFORMATION

MJWF13T56UL-KF06EP1GYR-0808-LF

SERIES

LEADFREE

8P8C

REEL

BLACK
FULL SPRING

GREEN / YELLOW

EAR+POST
06u" GOLD

煜倫股份有限公司

www.morethanall.com

SIZE A4

PPOJECTION

DESCRIPTION: RJ45, W/ 10/100 TRANSFORMER, W/LED, SHIELDED, SMT TYPE