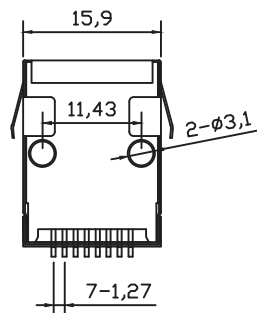
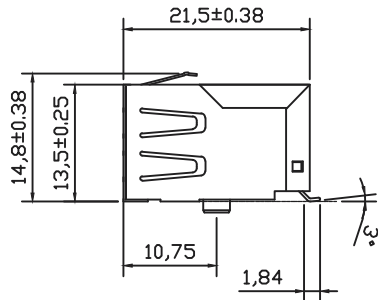
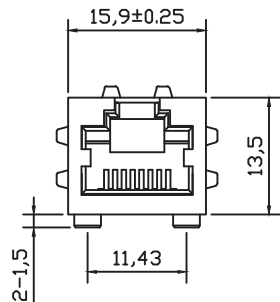
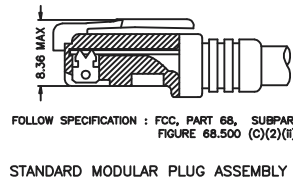
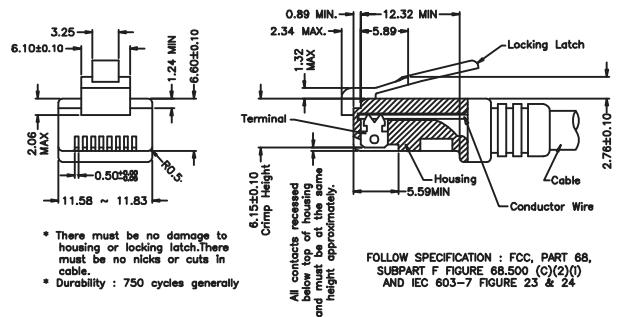


PCB LAYOUT



NOTE:

- 1.Shielded - 0.20mm THICKNESS BRASS C2680 H. PLATING NICKEL 30u"-50u".
- 2.Housing- Standard Material LCP,Glass Filled Polyester UL94V-0 Standed Color Black.
- 3.RJ Terminal- Plastic:LCP, UL94V-0,Standard Color Black. Pin:0.35mm Thickness Phos-Bronze C5210 EH. Plating:Nickel40u"~60u" for all and Sn 100% ,and Gold Plating.
- 4.Input Terminal- LCP,Glass Filled,UL94V-0, Standard Color Black. Pin:0.35mm Thickness Phos-Bronze C2680. Plating:Nickel40u"~60u" for all and Sn 100%.



MJWF13T45U-KF06NP2-0808

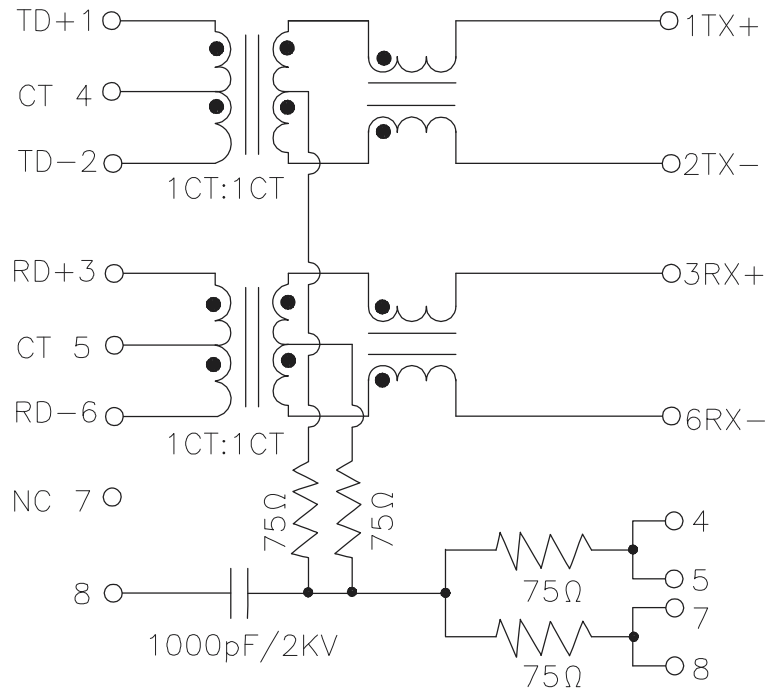
RoHS Compliant

**MORE THAN ALL**  
CONNECTORS  
ASSEMBLIES

焯倫股份有限公司

|                                  |           |               |  |   |  |               |  |    |  |      |  |
|----------------------------------|-----------|---------------|--|---|--|---------------|--|----|--|------|--|
| PART NO. MJWF13T45U-KF06NP2-0808 |           | CHECKED BY CY |  | TOLERANCES ARE                                |  | DESCRIP TION: |  |    |  |      |  |
| DWG NO. MJWF13T45U-KF06NP2-0808  |           | DRAWING BY    |  | .X ± 0.25<br>.XX ± 0.15<br>.XXX ± 0.10<br>ANG |  |               |  |    |  |      |  |
| FILE NO.                         |           | PROJECTION    |  | AREA  |  | REVISIONS     |  | HK |  | DATE |  |
| UNIT / mm                        | SCALE 1:1 |               |  |   |  |               |  |    |  |      |  |

# Schematic



## Electrical Specifications @25°C

| Turns Ratio (±2%) |         | DCL (μH Min.)<br>@100 KHz/0.1V<br>with 8mA DC Bias | Cross talk (dB Min.) |        |        |         | Hi-PDT<br>Vrms (VDC)<br>1.0 mA |
|-------------------|---------|--|----------------------|--------|--------|---------|--------------------------------|
| TX                | RX      |  | 0.5-10 MHz           | 30 MHz | 50 MHz | 100 MHz |                                |
| 1CT:1CT           | 1CT:1CT | 350  | -49                  | -40    | -36    | -32     | 1500 (2250)                    |

## Continue

| Insertion Loss<br>(dB Max.) | Return Loss<br>(dB Min.) @ Load 100 OHM |          |        |        | DCMR<br>(dB Min.) |          |           |
|-----------------------------|---|----------|--------|--------|-------------------|----------|-----------|
|                             | 1-100 MHz                               | 1-30 MHz | 40 MHz | 50 MHz | 60-80 MHz         | 1-30 MHz | 30-60 MHz |
| -1.15                       | -19                                     | -16      | -14.1  | -11.5  | -39               | -34      | -30       |

**MORETHANALL**  
CONNECTORS  
ASSEMBLIES

PART NO. MJWF13T45U-KF06NP2-0808

DWG NO. MJWF13T45U-KF06NP2-0808

CHECKED BY CY

TOLERANCES ARE

DESCRIPTION:

FILE NO.

DRAWING BY

.X ± 0.2  
.XX ±  
.XXX ±  
ANG

AREA

REVISIONS

HK

DATE

焯倫股份有限公司

UNIT / mm

SCALE 1:1

PROJECTION

