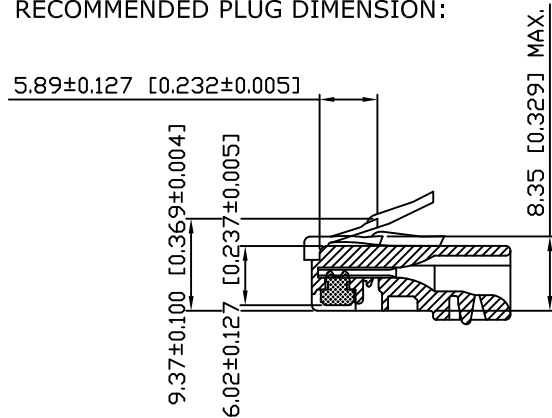


RECOMMENDED PLUG DIMENSION:



1. MECHANICAL DIMENSIONS :

NOTES:

1. MATERIAL:

HOUSING-NYLON POLYESTER UL94V-0
 MIXED GLASS FIBER, COLOR-BLACK
 CONTACTS-0.35mm THICK COPPER ALLOY PLATED
 WITH 6u" GOLD IN CONTACT AREA,
 TIN IN SOLDER AREA, AND NICKEL OVER ALL.
 SHIELD-COPPER ALLOY, UNDERPLATED WITH NICKEL.

2. OPERATING TEMPERATURE : 0°C~+70°C

3. INSERTION FORCE: 4 POUNDS MAX.

EXTRACTION FORCE: 4 POUNDS MAX.

4. DURABILITY: 750 MATING CYCLED MIN.

5. CAVITY CONFORMS TO FCC RULES AND REGULATIONS
 PART 68,SUBPART F.

6. UNSPECIFIED TOLERANCE: .XX ±0.25 [0.010]
 .X ±0.30 [0.012]

RoHS Compliant

TOLERANCES ARE

MORETHANALL
 PCB CONNECTORS
 Cable ASSEMBLIES

DRAWING BY CY

X, ±

CHECKED BY GENIUS

.X ±

UNIT / mm

SCALE 1 : 1

.XX ±

DATE

.XXX ±

ANG ±

SIZE A4

PJECTION

照片框

ORDER INFORMATION

MJWF13T45-KF06EP2-0808-LF

SERIES

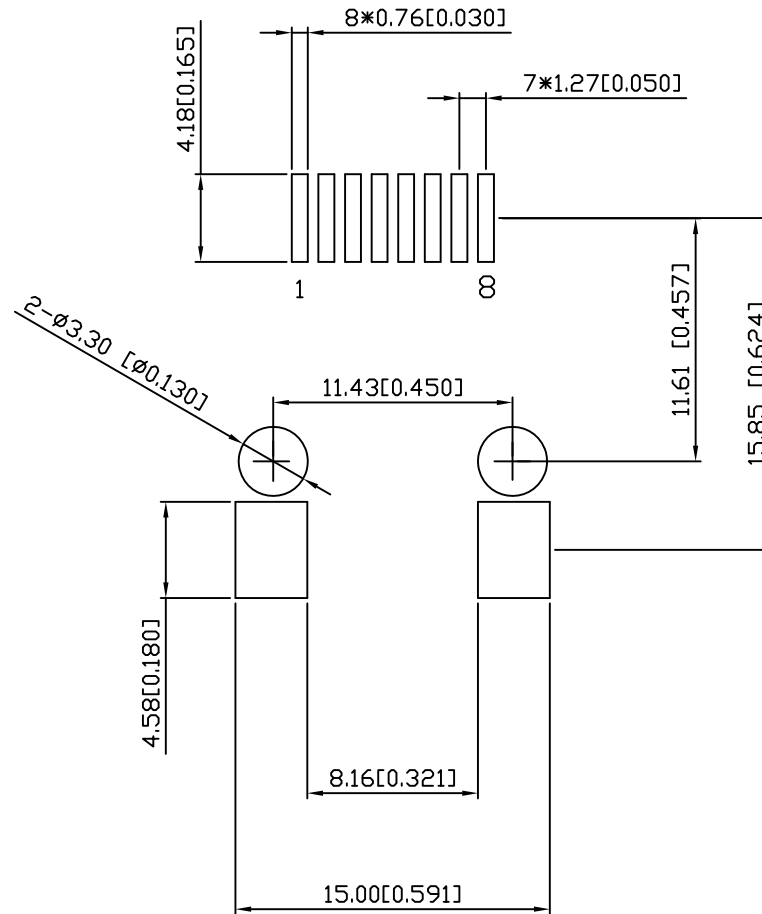
LEADFREE
 8P8C
 EAR+POST
 06u" GOLD
 FULL SPRING
 BLACK

煜倫股份有限公司

www.morethanall.com

DESCRIPTION: RJ45 8P8C, W/D LED, WITH 10/100 TRANSFORMER, SHIELDED, SMT TYPE.

2. PCB LAYOUT :



SUGGESTED PCB LAYOUT
(TOP VIEW)

DIMENSIONAL TOLERANCE: .XX ±0.08[0.003]

RoHS Compliant

TOLERANCES ARE

MORETHANALL
PCB CONNECTORS
Cable ASSEMBLIES

DRAWING BY CY

X. ±

CHECKED BY GENIUS

.X ±

UNIT / mm

SCALE 1 : 1

.XX ±

DATE

.XXX ±

ANG ±

照片框

ORDER INFORMATION

MJWF13T45-KF06EP2-0808-LF

SERIES

|

|

|

|

|

|

|

|

|

|

|

|

|

|

|

8P8C

LEADFREE

EAR+POST

06u" GOLD

FULL SPRING

BLACK

煜倫股份有限公司

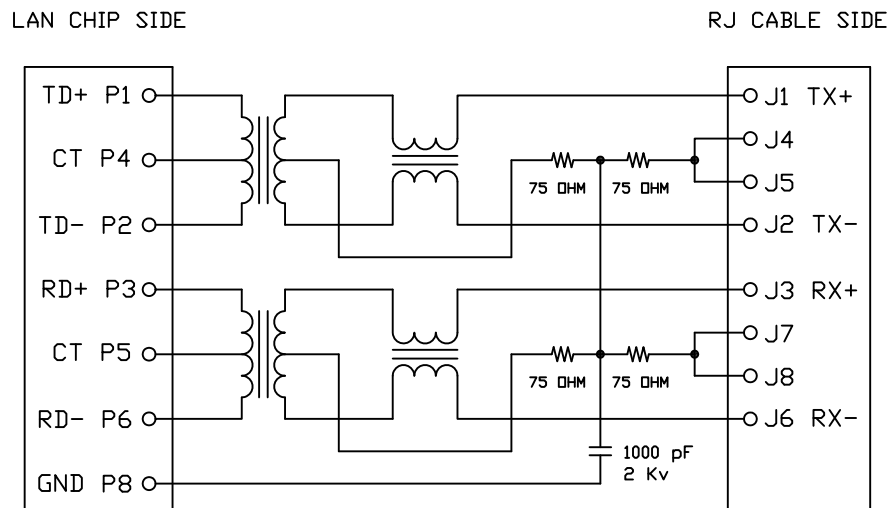
www.morethanall.com

SIZE A4

PPOJECTION

DESCRIPTION:

4. SCHEMATIC :



5. ELECTRICAL CHARACTERISTICS :

TEST NOTES:(25±5°C)

- 1.TR:
INPUT TO OUTPUT=1:1±3%
- 2.LX:(100KHz,100mV,8mA, DC Bias)
350uH MINIMUM
- 3.DCR:
EVERY RJ PAIR=1.2 Ω MAXIMUM
- 4.HIPOT:
INPUT TO OUTPUT PIN: 1500 VAC/60SEC
- 5.INSERTION LOSS:
-1.0dB MAXIMUM AT 0.3MHz TO 100MHz
- 6.RETURN LOSS:
-20dB MINIMUM AT 1MHz TO 30MHz
-15dB MINIMUM AT 30MHz TO 60MHz
-10dB MINIMUM AT 60MHz TO 80MHz
- 7.CROSS TALK:
-30dB MINIMUM AT 1MHz TO 100MHz
- 8.COMMON TO COMMON MODE REJECTION:
-30dB MINIMUM AT 1MHz TO 100MHz

RoHS Compliant

TOLERANCES ARE

MORETHANALL
PCB CONNECTORS
Cable ASSEMBLIES

煜倫股份有限公司

www.morethanall.com

DRAWING BY CY

CHECKED BY GENIUS

UNIT / mm

SCALE 1 : 1

DATE

SIZE A4

PPOJECTION

X, ±
.X ±
.XX ±
.XXX ±
ANG ±

照片框

ORDER INFORMATION

MJWF13T45-KF06EP2-0808-LF

SERIES

LEADFREE
8P8C
EAR+POST
06u" GOLD
FULL SPRING
BLACK

DESCRIPTION: RJ45 8P8C, W/D LED, WITH 10/100 TRANSFORMER, SHIELDED, SMT TYPE.