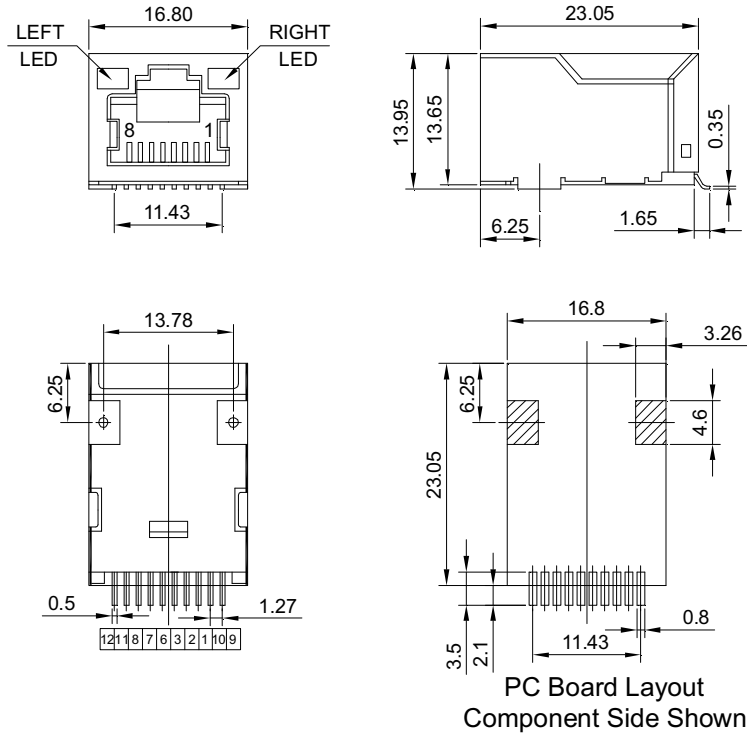


一、Mechanicals Dimensions

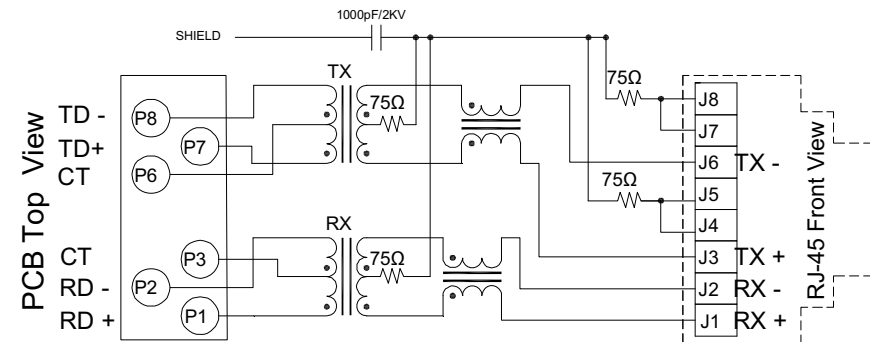


Unit : mm Unless otherwise specified, all tolerances are ± 0.25

三、ELECTRICAL SPECIFICATIONS@25 °C:

1. Turns Ratio($\pm 5\%$): 1CT:1CT
2. Inductance (100KHz/0.1V@8mA): 350uH MIN
3. Insertion Loss(dB MAX): -1.0dB(1-80MHz),-1.2dB(100MHz)
4. Return Loss(dB TYP): -14dB(1-60MHz),-10dB(60-100MHz)
5. Crosstalk (dB MIN): -35dB(1-80MHz)
6. HI-POT(Pri to Sec):1500Vrms
7. Operating Temperature: $-40^{\circ}\text{C}\sim+85^{\circ}\text{C}$
8. RoHS compliance: YES

二、Schematics



Standard LED	Wavelength	Forward*V(MAX)	TYP
Green	565nm	2.5v	2.2v
Yellow	585nm	2.5v	2.1v

RoHS Compliant

TOLERANCES ARE

MORETHANALL
PCB CONNECTORS
Cable ASSEMBLIES

煜倫股份有限公司

www.morethanall.com

DRAWING BY CY

CHECKED BY GENIUS

UNIT / mm SCALE 1 : 1

DATE

SIZE A4

X, \pm
.X \pm
.XX \pm
.XXX \pm
ANG \pm

PPOJECTION

照片框

ORDER INFORMATION

MJWF13T36UL-KX06NXYGR-0808

SERIES
BLACK
NON EAR
06u" GOLD

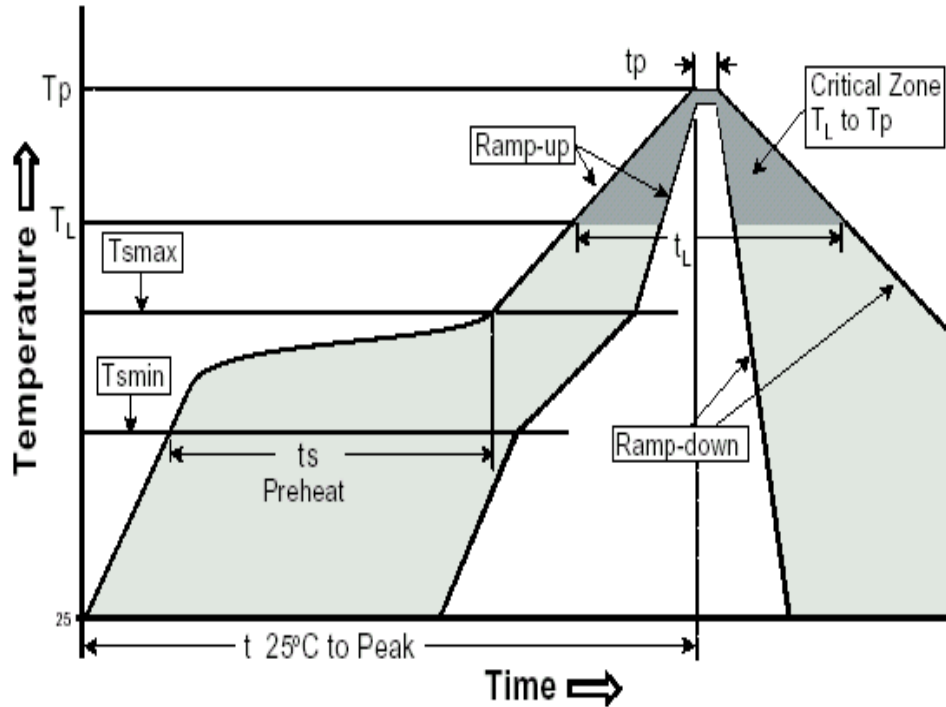
REEL
LED1 / LED2
YELLOW / GREEN
NON POST
INNER EAR

8P8C

DESCRIPTION: 10/100 BASE-T SINGLE PORT SMD RJ-45 JACK MAGNETICS

四、RoHS compliant type

Our RoHS parts just can withstand IR Reflow peak temperature: 260degC+/-5degC as the following profile:



Profile Feature	Pb-Free Assembly
Average Ramp-Up Rate (T_{smax} to T_p)	3°C /second max.
Preheat -Temperature Min (T_{smin}) -Temperature Max (T_{smax}) -Time (t_{smin} to t_{smax})	100°C 150°C 60-120 seconds
Time maintained above: -Temperature (T_L) -Time (t_L)	183°C 60-150 seconds
Peak/Classification Temperature (T_p)	260±5°C
Time within 5°C of actual Peak Temperature (t_p)	10-20 seconds
Ramp-Down Rate	6°C/seconds max
Time 25°C to Peak Temperature	6 minutes max.

RoHS Compliant

TOLERANCES ARE

MORETHANALL
PCB CONNECTORS
Cable ASSEMBLIES

DRAWING BY CY

X.±

CHECKED BY GENIUS

.X±

UNIT / mm

SCALE 1 : 1

.XX±

DATE

.XXX±

ANG ±

SIZE A4

PPOJECTION

照片框

ORDER INFORMATION

MJWF13T36UL-KX06NXYGR-0808

SERIES

BLACK

NON EAR

06u" GOLD

REEL

8P8C

LED1 / LED2

YELLOW / GREEN

NON POST

INNER EAR

煜倫股份有限公司

www.morethanall.com

DESCRIPTION: 10/100 BASE-T SINGLE PORT SMDRJ-45 JACK MAGNETICS

五、Mechanicals

Housing Material:

MATERIAL:Fr52 STANDARD COLOR:BLACK

Insert Material:

MATERIAL:Phos ronze C5210 EH---0.35mm Thickness

Insert BT GF UL94V-0

- 1.PLATING(1) NICKEL
- 2.PLATING(2) 100%Sn
- 3.PLATING(3) GOLD (3u " ~50u ")

Plate Material:

PBT GF UL 94V-0

Contact Material:

MATERIAL: Phos ronze C5191 ---0.35mm Thickness

- 1.PLATING(1) NICKEL
- 2.PLATING(2) 100%Sn

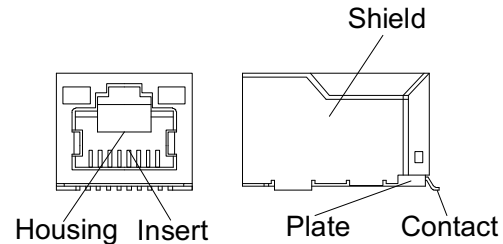
Shielding Material:

BRASS C2680 PLATING NICKEL

Operating Life:750 Cycles MIN.

Environmental:

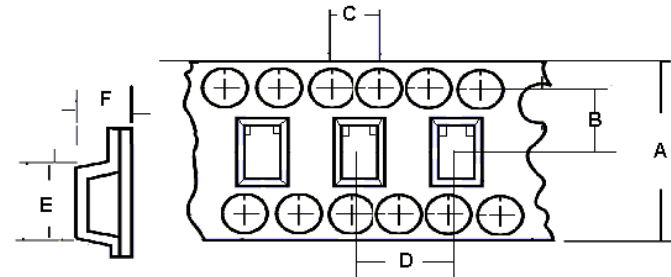
- 1.Storage Temp:-40℃ TO +85℃.
- 2.Operating Temp: -40℃ TO +85℃
3. MATES WITH MODULAR PLUG CONFORMING TO FCC PART 68,SUBPARTF.



六、Packaging

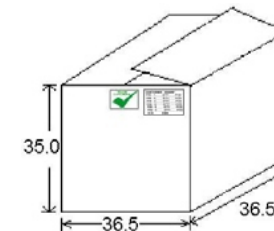
Packing Information

- 1.Tape & Reel-----150pcs/1Roll
2. Packaging material: PS



Tape Size(mm)					
A	B	C	D	E	F
44.0±0.3	20.2 ±0.1	4.0±0.1	28.0 ±0.1	25.3 ±0.1	14.4 ±0.1

3.outer carton unit : 900pcs/ 6Roll /box



Unit:cm

RoHS Compliant

TOLERANCES ARE

MORETHANALL
PCB CONNECTORS
Cable ASSEMBLIES

煜倫股份有限公司

www.morethanall.com

DRAWING BY CY

CHECKED BY GENIUS

UNIT / mm SCALE 1 : 1

DATE

SIZE A4

X, ±
.X ±
.XX ±
.XXX ±
ANG ±

PPOJECTION

照片框

ORDER INFORMATION

MJWF13T36UL-KX06NXYGR-0808

SERIES
BLACK
NON EAR
06u" GOLD

REEL
LED1 / LED2
YELLOW / GREEN
NON POST
INNER EAR

8P8C

DESCRIPTION: 10/100 BASE-T SINGLE PORT SMDRJ-45 JACK MAGNETICS