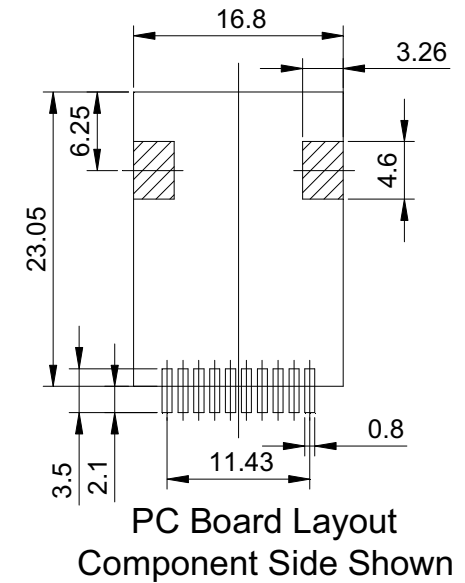
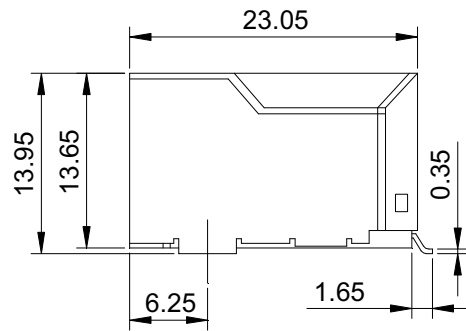
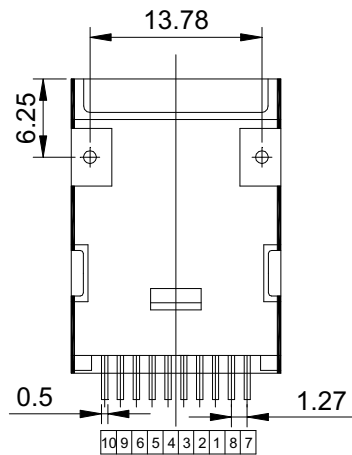
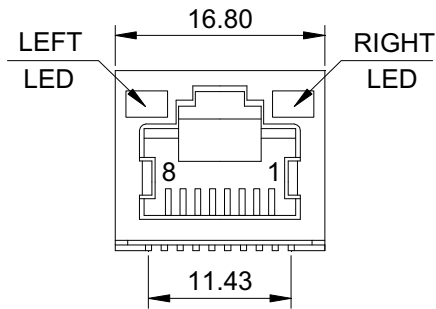


一、Mechanical Dimensions



UNIT:mm Unless otherwise specified, all tolerances are ± 0.25

RoHS Compliant

TOLERANCES ARE

MORETHANALL
PCB CONNECTORS
Cable ASSEMBLIES

DRAWING BY CY

X. \pm

CHECKED BY GENIUS

.X \pm

UNIT / mm

SCALE 1 : 1

.XXX \pm

DATE

ANG \pm

煜倫股份有限公司

www.morethanall.com

SIZE A4

PPOJECTION

照片框

ORDER INFORMATION

MJWF13T36UL-KX06NX1YGR-0808-LF

SERIES

BLACK
NON SPRING
06u" GOLD

REEL

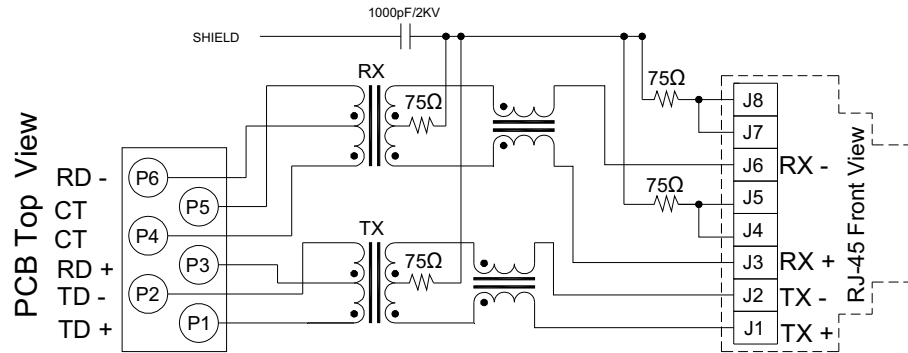
YELLOW / GREEN
NON POST
INNER EAR

8P8C

LEADFREE

DESCRIPTION: 10/100 BASE-T SINGLE PORT SMD RJ-45 JACK MAGNETICS

二、Schematics



三、ELECTRICAL SPECIFICATIONS@25 °C:

1. Turn Ratio($\pm 5\%$): 1CT:1CT
2. Inductance(100KHz/0.1V@8mA)350uH MIN
3. DCR(J1~J2):(J3~J6):1.2Ω MAX
4. Insertion Loss (dB MAX): -1.2dB(1-100MHz)
5. Return Loss (dB MIN): -16dB(1-30MHz),-12dB(30-60MHz),-10dB(60-80MHz)
6. Cross talk(dB MIN): -30dB(1-100MHz)
7. CMR (dB MIN): -30dB(1-100MHz)
8. HI-POT(Pri to Sec):1500Vrms/0.5mA/2Sec
9. Operating Temperature: 0°C TO +70°C
10. RoHS compliance: YES



Standard LED	Wavelength	Forward*V(MAX)	TYP
Green	565nm	2.5v	2.2v
Yellow	585nm	2.5v	2.1v

With a forward current of 20mA

RoHS Compliant

TOLERANCES ARE

MORETHANALL
PCB CONNECTORS
Cable ASSEMBLIES

煜倫股份有限公司

www.morethanall.com

DRAWING BY CY

CHECKED BY GENIUS

UNIT / mm SCALE 1 : 1

DATE

SIZE A4

X. ±

.X ±

.XX ±

.XXX ±

ANG ±

PPOJECTION

照片框

ORDER INFORMATION

MJWF13T36UL-KX06NX1YGR-0808-LF

SERIES

BLACK
NON SPRING
06u" GOLD

REEL
YELLOW / GREEN
NON POST
INNER EAR

8P8C

LEADFREE

DESCRIPTION:

五、Mechanicals

Housing Material:

MATERIAL:Fr52 STANDARD COLOR:BLACK

Insert Material:

MATERIAL:Phos-Bronze C5210 EH---0.35mm Thickness

Insert -PBT GF UL94V-0

- 1.PLATING(1) NICKEL
- 2.PLATING(2) 100%Sn
- 3.PLATING(3) GOLD (3u " ~50u ")

Plate Material:

PBT GF UL 94V-0

Contact pin Material:

MATERIAL: Phos-Bronze C5191 ---0.35mm Thickness

- 1.PLATING(1) NICKEL
- 2.PLATING(2) 100%Sn

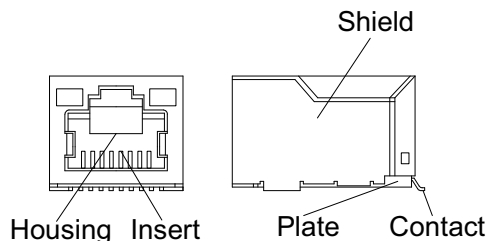
Shielding Material:

BRASS C2680 PLATING NICKEL

Operating Life:750 Cycles MIN.

Environmental:

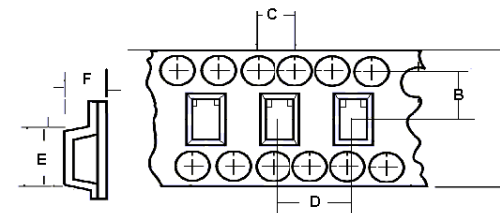
- 1.Storage Temp:-40°C TO +85°C.
- 2.Operating Temp: 0°C TO +70°C
3. MATES WITH MODULAR PLUG CONFORMING TO FCC PART 68,SUBPARTF.



六、Packaging

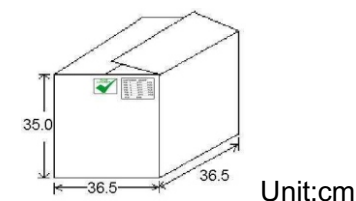
Packing Information

- 1.Tape & Reel-----150pcs/1 Reel
2. Packaging material: PS



Tape Size(mm)					
A	B	C	D	E	F
44.0±0.3	20.2±0.1	4.0±0.1	28.0±0.1	25.3±0.1	14.4±0.1

- 3.outer carton unit : 900pcs/ 6Reel /box
4. Weight: 11.2kg percarton



Unit:cm

RoHS Compliant

TOLERANCES ARE

MORETHANALL
PCB CONNECTORS
Cable ASSEMBLIES

煜倫股份有限公司

www.morethanall.com

DRAWING BY CY

CHECKED BY GENIUS

UNIT / mm SCALE 1 : 1

DATE

SIZE A4

X, ±
.X ±
.XX ±
.XXX ±
ANG ±

P PROJECTION

照片框

ORDER INFORMATION

MJWF13T36UL-KX06NX1YGR-0808-LF

SERIES

BLACK
NON SPRING
06u" GOLD

REEL

YELLOW / GREEN
NON POST
INNER EAR

8P8C

LEADFREE

DESCRIPTION: