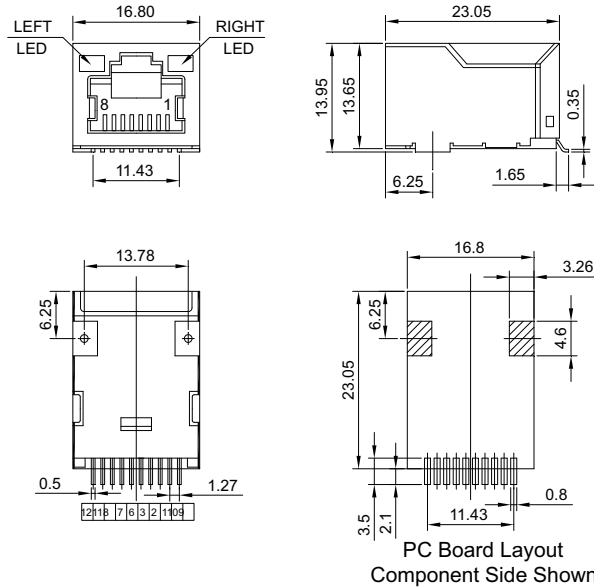
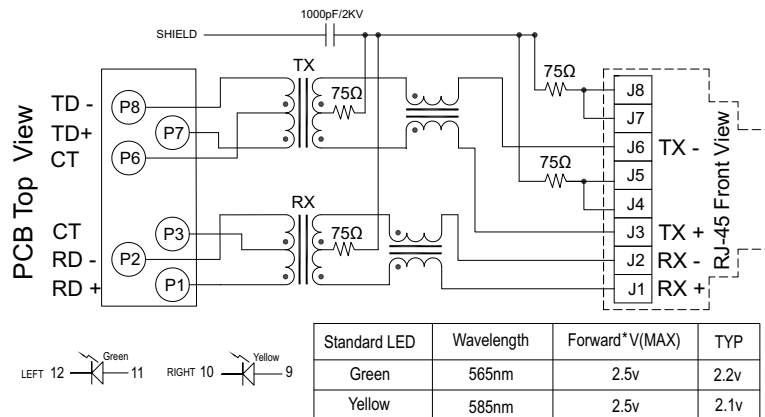


一、Mechanical Dimensions



Unit : mm Unless otherwise specified, all tolerances are ± 0.25

二、Schematics



三、ELECTRICAL SPECIFICATIONS@25°C:

1. Turns Ratio($\pm 2\%$): 1CT:1CT
2. Inductance (100KHz/0.1V@8mA): 350uH MIN@0°C~+70°C
3. Insertion Loss(dB MAX): -1.0dB(1-100MHz)
4. Return Loss(dB TYP): -18dB(1-30MHz), -18+20log(f/30MHz)dB(30-60MHz), -12dB(60-80MHz)
5. Crosstalk (dB MIN): -50dB(0.5-1MHz), -50dB(10MHz), -40dB(30MHz), -35dB(50MHz); 30dB(100MHz)
6. CMR(dB MIN): -50dB(0.5-1MHz), -47dB(10MHz)
7. CDMR(dB TYP): -50dB(0.5-1MHz), -50dB(10MHz), -50dB(30MHz), -45dB(60MHz); 40dB(100MHz)
7. HI-POT(Pri to Sec): 1500Vrms/0.5mA/2Sec
8. Operating Temperature: -40°C~+85°C
9. RoHS compliance: YES

MORETHANALL
PCB CONNECTORS
Cable ASSEMBLIES

煜倫股份有限公司

www.morethanall.com

RoHS Compliant

DRAWING BY CY

CHECKED BY GENIUS

UNIT / mm SCALE 1 : 1

DATE

SIZE A4

TOLERANCES ARE

X, \pm
.X \pm
.XX \pm
.XXX \pm
ANG \pm

P PROJECTION

照片框

ORDER INFORMATION

MJWF13T36UL-KX06NX1XGX1R-0808-LF

SERIES
BLACK
NON SPRING
06u" GOLD

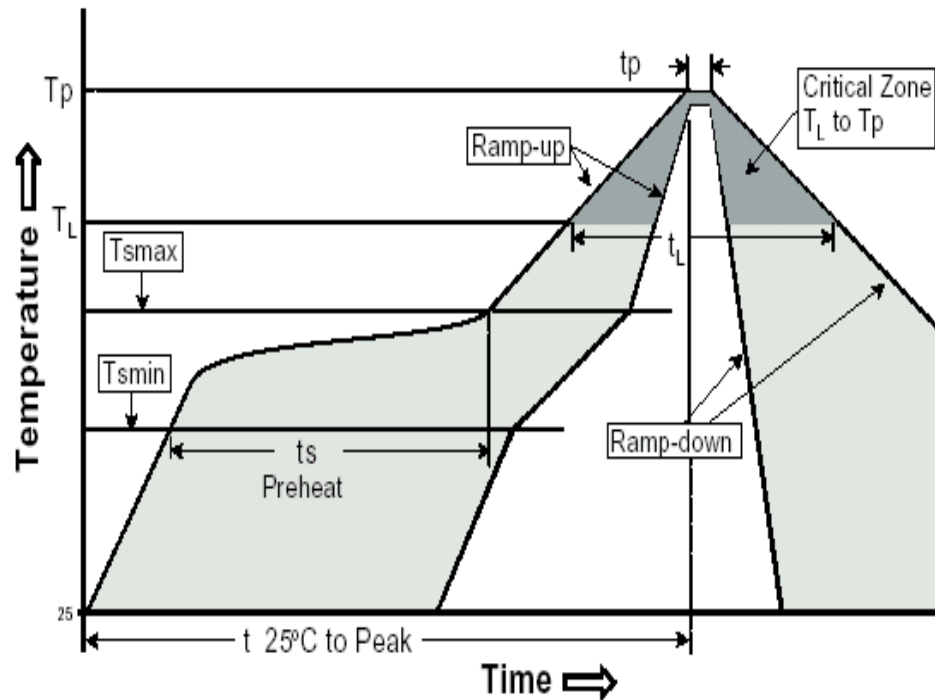
REEL
8P8C
X/GREEN / X/YELLOW
NON POST
INNER EAR

LEADFREE

DESCRIPTION: 10/100 BASE-T SINGLE PORT SMD RJ-45 JACK MAGNETICS

四、RoHS compliant type

Our RoHS parts just can withstand IR Reflow peak temperature: 240degC+/-5degC as the following profile:



Profile Feature	Pb-Free Assembly
Average Ramp-Up Rate ($T_{s_{max}}$ to T_p)	3°C /second max.
Preheat -Temperature Min ($T_{s_{min}}$) -Temperature Max ($T_{s_{max}}$) -Time ($t_{s_{min}}$ to $t_{s_{max}}$)	100°C 150°C 60-120 seconds
Time maintained above: -Temperature (T_L) -Time (t_i)	183°C 60-150 seconds
Peak/Classification Temperature (T_p)	240±5°C
Time within 5°C of actual Peak Temperature (t_p)	10-20 seconds
Ramp-Down Rate	6°C/seconds max
Time 25°C to Peak Temperature	6 minutes max.

RoHS Compliant

TOLERANCES ARE

MORETHANALL
PCB CONNECTORS
Cable ASSEMBLIES

DRAWING BY CY

X.±

CHECKED BY GENIUS

.X±

UNIT / mm

SCALE 1:1

.XX±

DATE

.XXX±

ANG ±

SIZE A4

PJECTION

照片框

ORDER INFORMATION

MJWF13T36UL-KX06NX1XGXJR-0808-LF

SERIES

LEADFREE

8P8C

REEL

BLACK

X/GREEN / X/YELLOW

NON SPRING

NON POST

06u" GOLD

INNER EAR

煜倫股份有限公司

www.morethanall.com

DESCRIPTION: 10/100 BASE-T SINGLE PORT SMDRJ-45 JACK MAGNETICS

五、Mechanicals

Housing Material:

MATERIAL:Fr52 STANDARD COLOR:BLACK

Insert Material:

MATERIAL:Phos Bronze C5210 EH---0.35mm Thickness

Insert PBT GF UL94V-0

- 1.PLATING(1) NICKEL
- 2.PLATING(2) 100%Sn
- 3.PLATING(3) GOLD (3u " ~50u ")

Plate Material:

PBT GF UL 94V-0

Contact pin Material:

MATERIAL: Phos Bronze C5191 ---0.35mm Thickness

- 1.PLATING(1) NICKEL
- 2.PLATING(2) 100%Sn

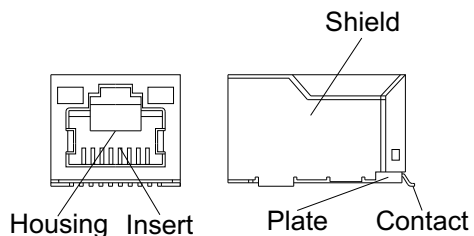
Shielding Material:

BRASS C2680 PLATING NICKEL

Operating Life:750 Cycles MIN.

Environmental:

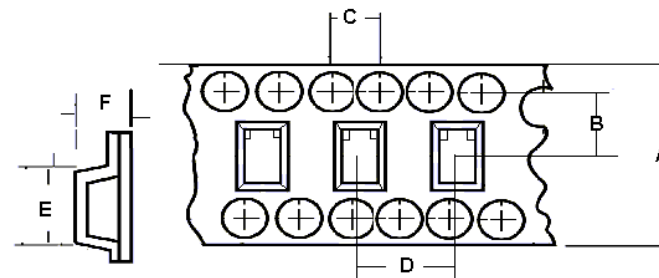
- 1.Storage Temp:-40°C TO +85°C.
- 2.Operating Temp: -40°C TO +85°C
3. MATES WITH MODULAR PLUG CONFORMING TO FCC PART 68,SUBPARTF.



六、Packaging

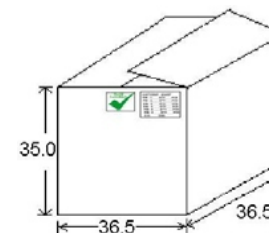
Packing Information

- 1.Tape & Reel-----150pcs/1Roll
2. Packaging material: PS



Tape Size(mm)					
A	B	C	D	E	F
44.0 ±0.3	20.2 ±0.1	4.0 ±0.1	28.0 ±0.1	25.3 ±0.1	14.4 ±0.1

3.outer carton unit : 900pcs/ 6Roll /box



Unit:cm

RoHS Compliant

TOLERANCES ARE

MORETHANALL
PCB CONNECTORS
Cable ASSEMBLIES

煜倫股份有限公司

www.morethanall.com

DRAWING BY CY

CHECKED BY GENIUS

UNIT / mm SCALE 1 : 1

DATE

SIZE A4

X, ±
.X ±
.XX ±
.XXX ±
ANG ±

PPOJECTION

照片框

ORDER INFORMATION

MJWF13T36UL-KX06NX1XGX1R-0808-LF

SERIES

BLACK
NON SPRING
06u" GOLD

LEADFREE
8P8C
REEL

X/GREEN / X/YELLOW
NON POST
INNER EAR

DESCRIPTION: 10/100 BASE-T SINGLE PORT SMDRJ-45 JACK MAGNETICS