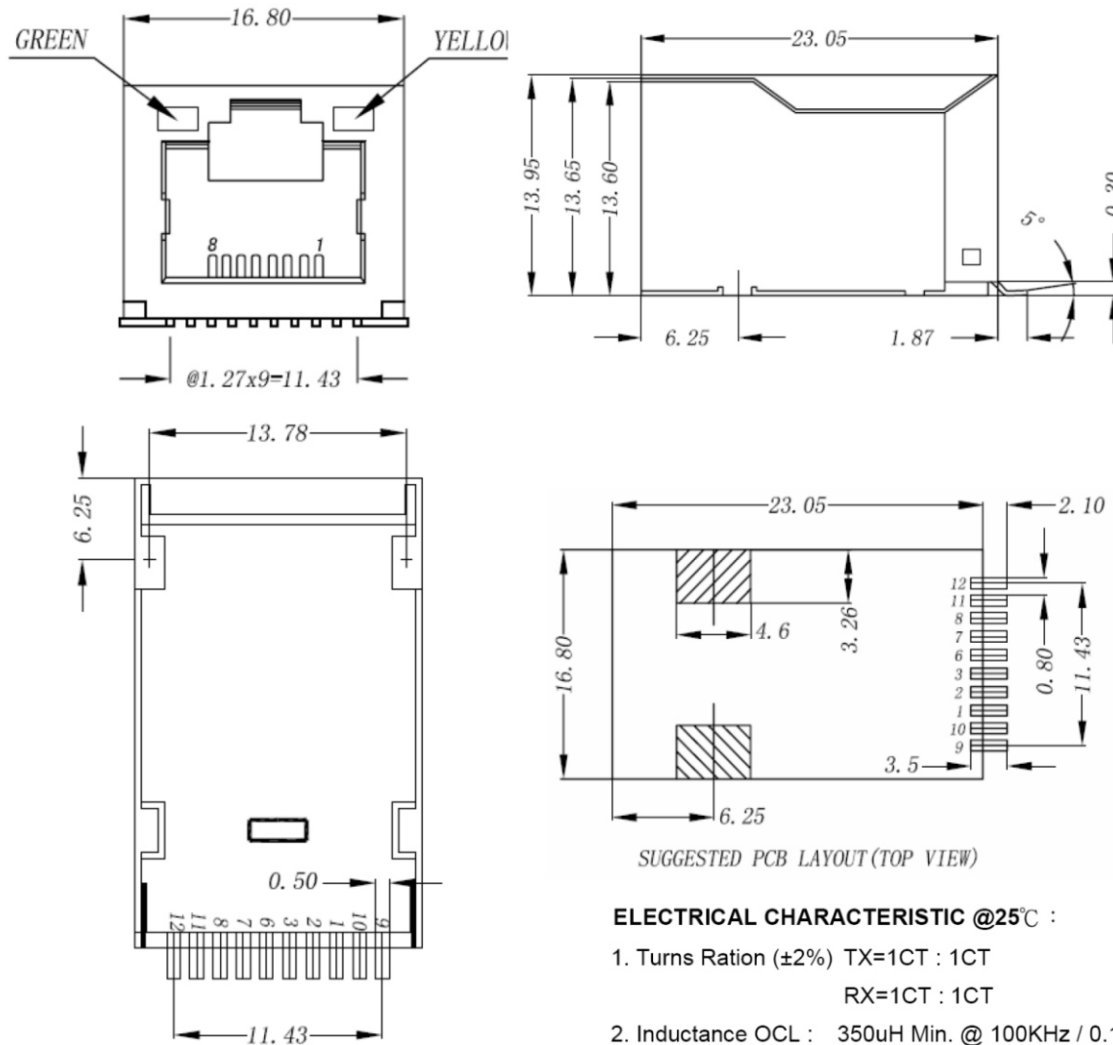


EXTERNAL DIMENSIONS :

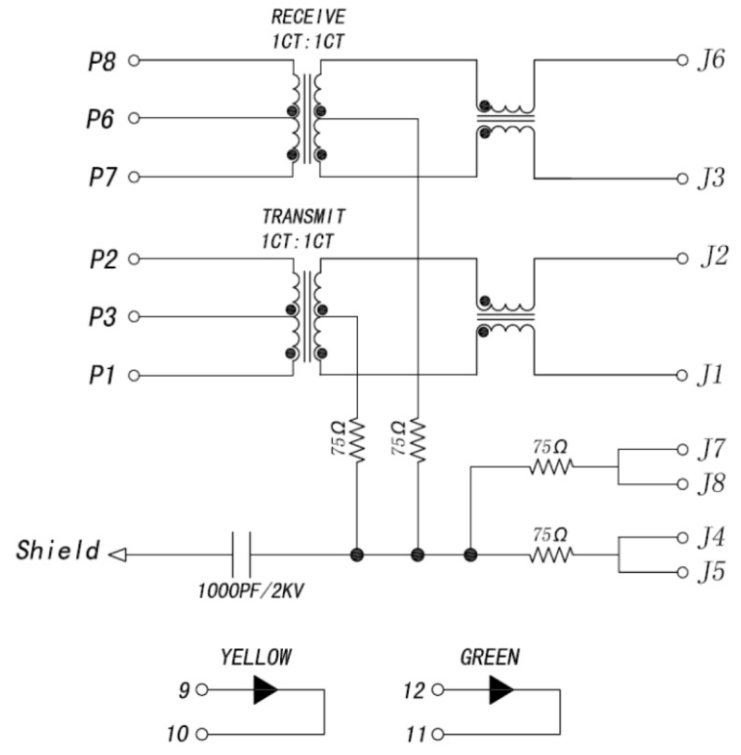


SUGGESTED PCB LAYOUT (TOP VIEW)

ELECTRICAL CHARACTERISTIC @25°C :

- 1. Turns Ratio ($\pm 2\%$) TX=1CT : 1CT
RX=1CT : 1CT
- 2. Inductance OCL : 350uH Min. @ 100KHz / 0.1V, 8mA DC Bias
- 3. Return Loss (Min.) : 1-60MHz : -14dB
60-100MHz : -10dB

SCHEMATIC DRAWING :



- 4. Crosstalk (Min.) : 1-80MHz : -35dB
- 5. Insertion Loss(Max. 1-80MHz : -1.0dB
100MHz : -1.2dB
- 6. Isolation Voltage : 1500V
- 7. IR Reflow peak temperature : 260°C
- 8. Operating Temperature : 0°C ~ 70°C

RoHS Compliant

TOLERANCES ARE	
X, ±	
.X ±	
.XX ±	
.XXX ±	
ANG ±	

照片框

ORDER INFORMATION

MJWF13T16U-KX06NX1GY-0808-LF
 SERIES | 8P8C | LEADFREE
 BLACK | GREEN / YELLOW
 NON SPRING | NON POST
 06u" GOLD | INNER EAR

MORETHANALL
 PCB CONNECTORS
 Cable ASSEMBLIES
煜倫股份有限公司
 www.morethanall.com

DRAWING BY CY	
CHECKED BY GENIUS	
UNIT / mm	SCALE 1 : 1
DATE	
SIZE A4	P PROJECTION

DESCRIPTION: