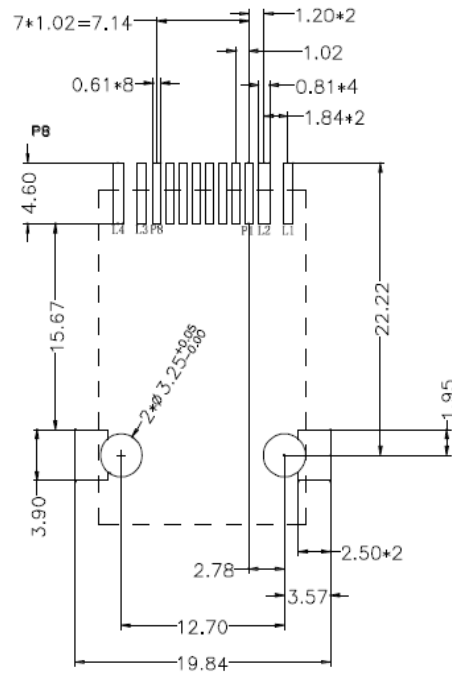
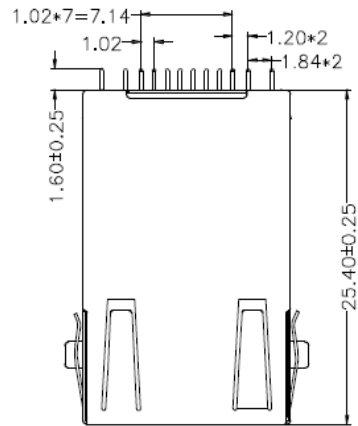
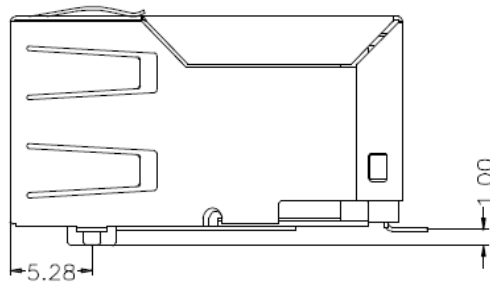
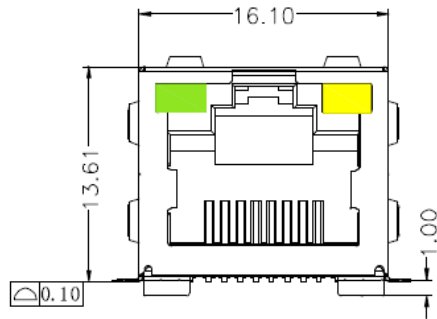


EXTERNAL DIMENSIONS :

With 10/100 Base-T Magnetics Module



Connector material

- Housing : LCP UL94 V-0
- Contact / Shield : Cooper alloy
- Shield plating : Nickel
- Contact plating : Gold 6 micro-inches min. in contact area.
- Durability : 800 mating Min
- Meets or Exceeds IEEE802.3af standards
- 350uH Min OCL @ 100KHz 0.1V 8mA DC

RoHS Compliant

TOLERANCES ARE

MORETHANALL
PCB CONNECTORS
Cable ASSEMBLIES

DRAWING BY CY

CHECKED BY GENIUS

UNIT / mm

SCALE 1 : 1

DATE

SIZE A4

PPOJECTION

X, ±
.X ± 0.20
.XX ± 0.10
.XXX ± 0.05
ANG ±

照片框

ORDER INFORMATION

MJWF13T34UL-KF06EP1GY-0808-LF

SERIES

BLACK

06u" GOLD

EAR+POST
FULL SPRING

8P8C

GREEN / YELLOW

LEADFREE

煜倫股份有限公司

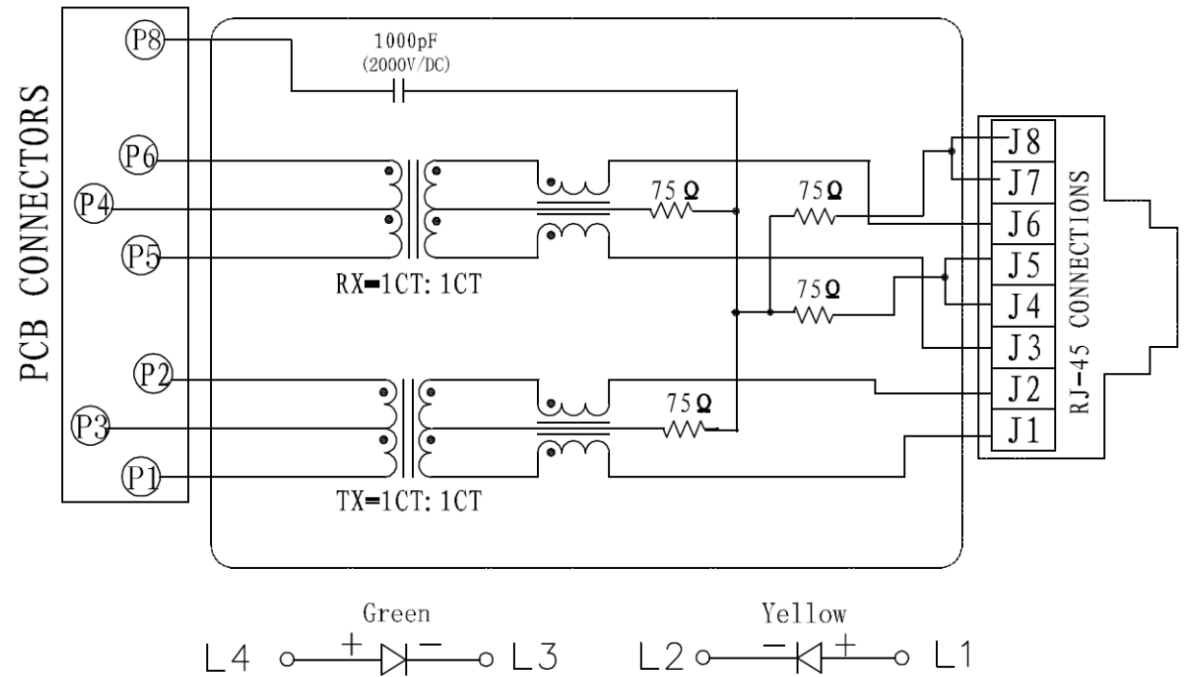
www.morethanall.com

DESCRIPTION:

ELECTRICAL CHARACTERISTIC : @25°C

Turn Ratio:	1:1 ±3%
OCL:	350uH MIN. @ 100KHz 100mV 8mA DC
DCR:	1.2 OHMS MAXMUM
Insertion Loss :	-1.2dB Maximum AT 0.1 MHz TO 100MHz
Return Loss :	-18dB Minimum AT 1MHz TO 30MHz
	-14dB Minimum AT 30MHz TO 60MHz
	-12dB Minimum AT 60MHz TO 80MHz
	-10dB Minimum AT 80MHz TO 100MHz
Cross Talk :	-30dB Minimum AT 1MHz TO 100MHz
CMR :	-30dB Minimum AT 1MHz 100 MHz
Isolation Voltage :	1500V / AC (Input to Output)
Operating Temperature:	-40°C ~ 85°C
Storage Temperature:	-40°C ~ 85°C

SCHEMATIC DRAWING :



MORETHANALL
PCB CONNECTORS
Cable ASSEMBLIES

煜倫股份有限公司

www.morethanall.com

RoHS Compliant

DRAWING BY CY	
CHECKED BY GENIUS	
UNIT / mm	SCALE 1 : 1
DATE	
SIZE A4	PPOJECTION

TOLERANCES ARE

X. ±
.X ±
.XX ±
.XXX ±
ANG ±

照片框

ORDER INFORMATION

MJWF13T34UL-KF06EP1GY-0808-LF

SERIES

BLACK | 06u" GOLD | FULL SPRING | EAR+POST | GREEN / YELLOW | 8P8C | LEADFREE

DESCRIPTION: