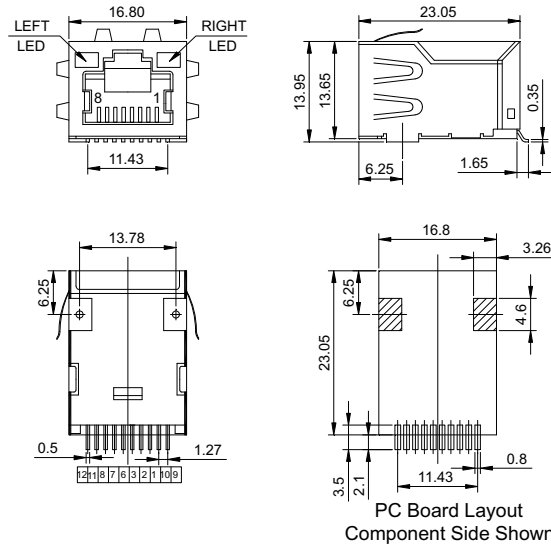
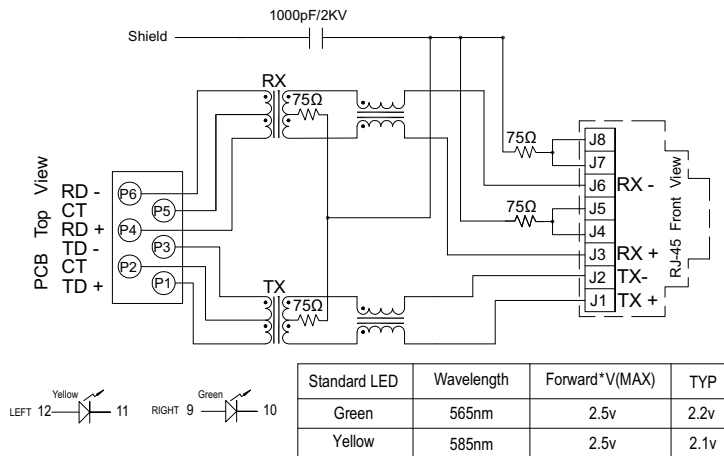


一、Mechanical Dimensions



Unit : mm Unless otherwise specified, all tolerances are ± 0.25

二、Schematics



三、ELECTRICAL SPECIFICATIONS@25°C:

1. Turns Ratio($\pm 3\%$): 1CT:1CT
2. Inductance (100KHz/0.1V@8mA): 350uH MIN
3. Insertion Loss(dB MAX): -1.0dB(0.3-100MHz)
4. Return Loss(dB MIN): -20dB(1-30MHz),-15dB(30-60MHz) ,-10dB(60-80MHz)
5. Crosstalk (dB MIN): -30dB(1-100MHz)
6. CMR (dB MIN): -30dB(1-100MHz)
7. DCR: 1.2 Ω MAX
8. HI-POT(Pri to Sec): 1500Vrms
9. Operating Temperature: -40°C~+85°C
10. RoHS compliance: YES

RoHS Compliant

TOLERANCES ARE

MORETHANALL
PCB CONNECTORS
Cable ASSEMBLIES

煜倫股份有限公司

www.morethanall.com

DRAWING BY CY

CHECKED BY GENIUS

UNIT / mm SCALE 1 : 1

DATE

SIZE A4

X, \pm
X, \pm
.XX \pm
.XXX \pm
ANG \pm

P PROJECTION

照片框

ORDER INFORMATION

MJWF13T25UL-KF06NX1YG-0808

SERIES
BLACK
FULL SPRING
06u" GOLD
8P8C
LEFT / RIGHT
YELLOW / GREEN
NON POST
INNER EAR

DESCRIPTION: 10/100 BASE-T SINGLE PORT SMD RJ-45 JACK MAGNETICS

四、Mechanicals

Housing Material:

MATERIAL:Fr52 STANDARD COLOR:BLACK

Insert Material:

MATERIAL:Phos ronze C5210 EH---0.35mm Thickness

Insert PBT GF UL94V-0

- 1.PLATING(1) NICKEL
- 2.PLATING(2) 100%Sn
- 3.PLATING(3) GOLD (3u " ~50u ")

Plate Material:

PBT GF UL 94V-0

Contact pin Material:

MATERIAL: Phos ronze C5191 ---0.35mm Thickness

- 1.PLATING(1) NICKEL
- 2.PLATING(2) 100%Sn

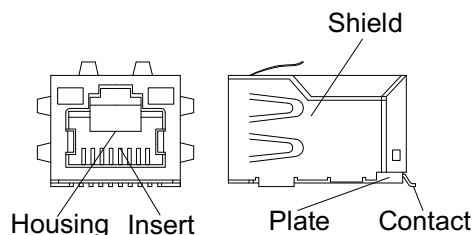
Shielding Material:

BRASS C2680 PLATING NICKEL

Operating Life:750 Cycles MIN.

Environmental:

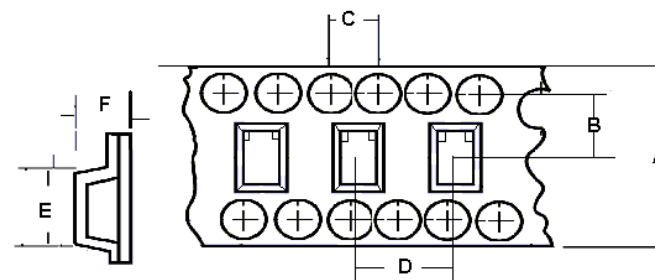
- 1.Storage Temp:-40°C TO +85°C .
- 2.Operating Temp: -40°C TO +85°C
3. MATES WITH MODULAR PLUG CONFORMING TO FCC PART 68,SUBPARTF.



五、Packaging

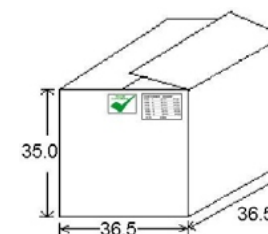
Packing Information

- 1.Tape & Reel-----150pcs/1Roll
2. Packaging material: PS



Tape Size(mm)					
A	B	C	D	E	F
44.0±0.3	20.2±0.1	4.0±0.1	28.0±0.1	25.3±0.1	14.4±0.1

- 3.outer carton unit : 900pcs/ 6Roll /box



Unit:cm

RoHS Compliant

TOLERANCES ARE

MORETHANALL
PCB CONNECTORS
Cable ASSEMBLIES

煜倫股份有限公司

www.morethanall.com

DRAWING BY CY

CHECKED BY GENIUS

UNIT / mm SCALE 1 : 1

DATE

SIZE A4

X, ±
.X ±
.XX ±
.XXX ±
ANG ±

PJECTION

照片框

ORDER INFORMATION

MJWF13T25UL-KF06NX1YG-0808

SERIES

BLACK
FULL SPRING
06u" GOLD

8P8C

LEFT / RIGHT
YELLOW / GREEN
NON POST
INNER EAR

DESCRIPTION: