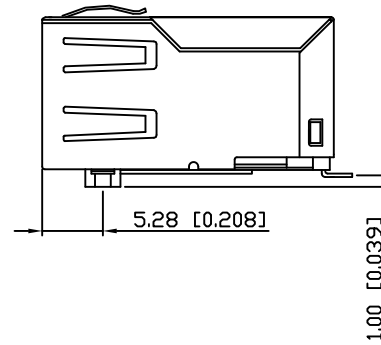
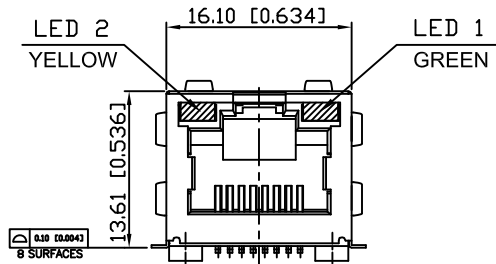
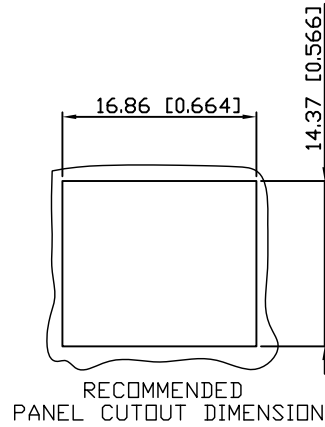
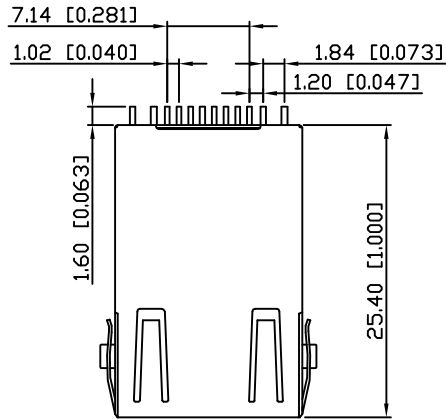
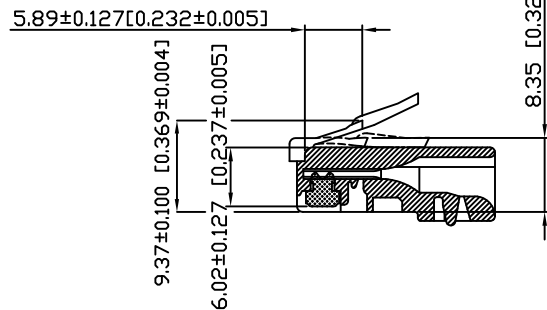


# 1. MECHANICAL DIMENSIONS :



## RECOMMENDED PLUG DIMENSION:



### NOTES:

- MATERIAL:  
HOUSING-LCP POLYESTER UL94V-0  
MIXED GLASS FIBER. COLOR-BLACK  
CONTACTS-0.35mm THICK PHOS-BRONZE CONTACT AREA PLATED  
WITH 6u" GOLD OVER NICKEL.  
SHIELD-COPPER ALLOY, PLATED WITH NICKEL.
- OPERATING TEMPERATURE : -40°C~85°C
- CAVITY CONFORMS TO FCC RULES AND REGULATIONS  
PART 68,SUBPART F.
- UNSPECIFIED TOLERANCE: .XX ±0.25 [0.010]  
.X ±0.30 [0.012]

RoHS Compliant

TOLERANCES ARE

**MORETHANALL**  
PCB CONNECTORS  
Cable ASSEMBLIES

DRAWING BY CY

X. ±

CHECKED BY GENIUS

.X ±

UNIT / mm

SCALE 1 : 1

.XX ±

DATE

.XXX ±

ANG ±

SIZE A4

PJECTION

照片框

### ORDER INFORMATION

MJWF13T25UL-KF06EP1YG-0808-LF

SERIES

BLACK

06u" GOLD

FULL SPRING

EAR+POST

YELLOW/GREEN

8P8C

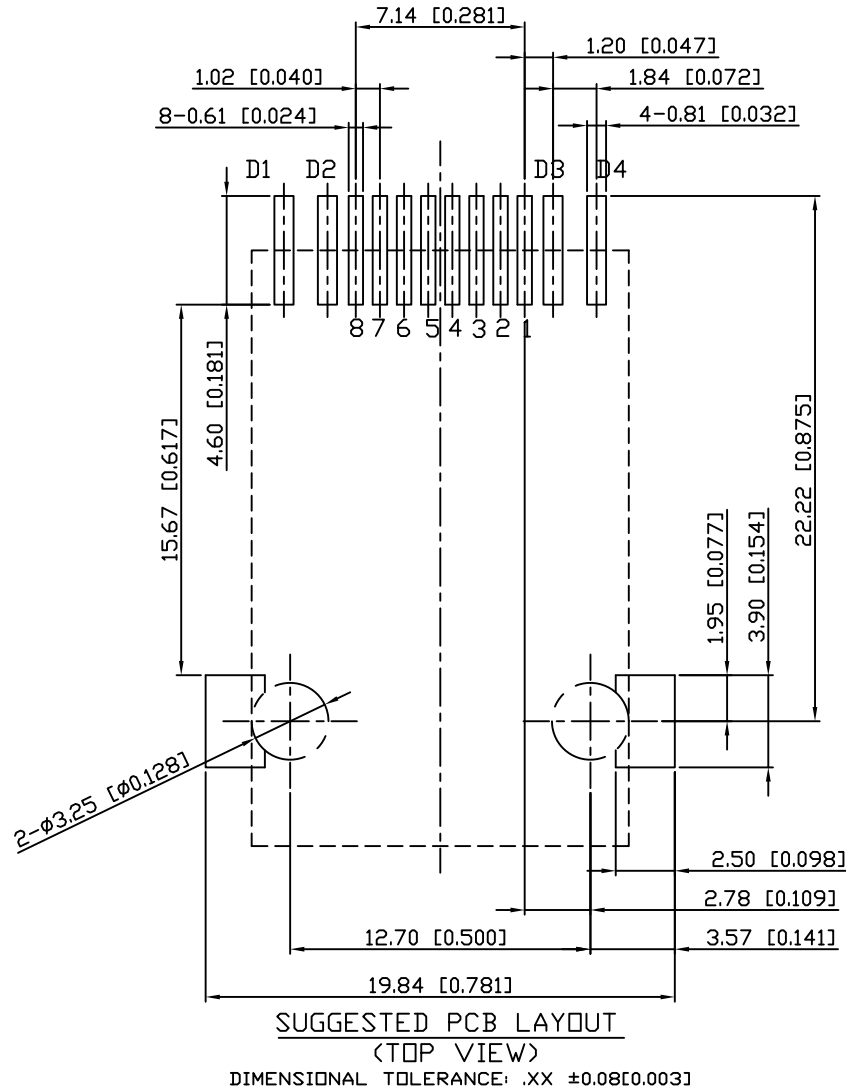
LEADFREE

煜倫股份有限公司

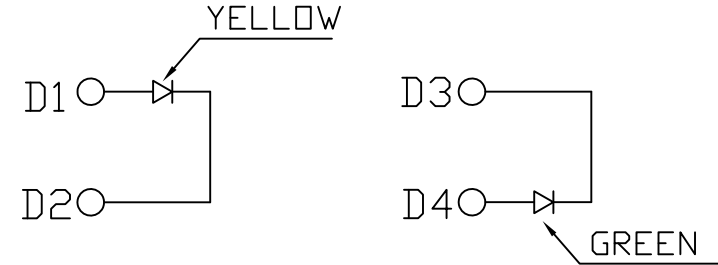
www.morethanall.com

DESCRIPTION:RJ45, W/LED, with 10/100 Mbps Filter 8P,8C, Shielded, SMT Type,

## 2. PCB LAYOUT :



## 3. LED CONFIGURATION :



Color	VF(V) @20mA		IV(mcd) @20mA		IF (mA) Typ	Peak wavelength @20mA λP(nm)	
	Min	Max	Min	Max		Min	Max
Green	1.85	2.45	10	20	20	565	575
Yellow	1.7	2.3	50	150	20	585	595

**RoHS Compliant**

TOLERANCES ARE

**MORETHANALL**  
PCB CONNECTORS  
Cable ASSEMBLIES

DRAWING BY CY

X, ±

CHECKED BY GENIUS

.X ±

UNIT / mm

SCALE 1 : 1

.XX ±

DATE

.XXX ±

ANG ±

照片框

**ORDER INFORMATION**

**MJWF13T25UL-KF06EP1YG-0808-LF**

SERIES

LEADFREE

8P8C

YELLOW/GREEN

EAR+POST

BLACK

06u" GOLD

FULL SPRING

**煜倫股份有限公司**

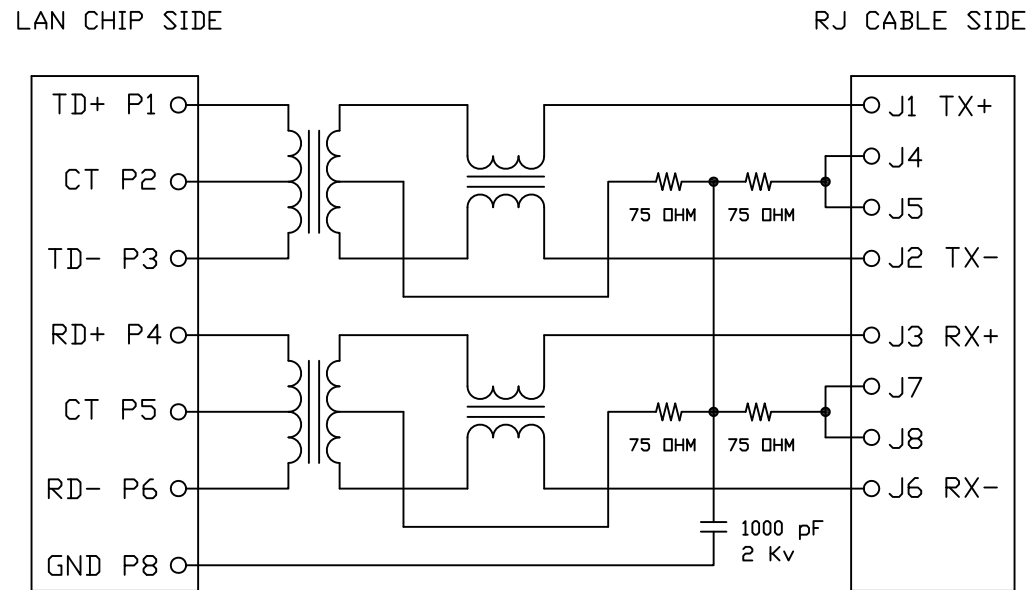
[www.morethanall.com](http://www.morethanall.com)

SIZE A4

PJECTION

DESCRIPTION: RJ45, W/LED, with 10/100 Mbps Filter 8P,8C, Shielded, SMT Type,

. SCHEMATIC :



5. ELECTRICAL CHARACTERISTICS :

TEST NOTES:( $25 \pm 5^\circ\text{C}$ )

1.TR:

INPUT TO OUTPUT= $1:1 \pm 3\%$

2.LX:(100KHz,100mV,8mA, DC Bias)

350uH MINIMUM

3.DCR:

EVERY RJ PAIR=1.2 OHMS MAXIMUM

4.HIPOT:

INPUT TO OUTPUT : 1500VAC FOR 60 SECONDS

5.INSERTION LOSS:

-1.0dB MAXIMUM AT 0.3MHz TO 100MHz;

6.RETURN LOSS:

-20dB MINIMUM AT 1MHz TO 30MHz;

-15dB MINIMUM AT 30MHz TO 60MHz

-10dB MINIMUM AT 60MHz TO 80MHz

7.CROSS TALK:

-30dB MINIMUM AT 1MHz TO 100MHz

8.COMMON TO COMMON MODE REJECTION:

-30dB MINIMUM AT 1MHz TO 100MHz

9. OPERATING TEMPERATURE :  $-40^\circ\text{C} \sim +85^\circ\text{C}$

RoHS Compliant

TOLERANCES ARE

**MORETHANALL**  
PCB CONNECTORS  
Cable ASSEMBLIES

DRAWING BY CY

X. ±

CHECKED BY GENIUS

.X ±

UNIT / mm

SCALE 1 : 1

.XX ±

.XXX ±

DATE

ANG ±

SIZE A4

PPOJECTION

照片框

ORDER INFORMATION

MJWF13T25UL-KF06EP1YG-0808-LF

SERIES

LEADFREE

8P8C

YELLOW/GREEN

EAR+POST

BLACK

06u" GOLD

FULL SPRING

煜倫股份有限公司

www.morethanall.com

DESCRIPTION:RJ45, W/LED, with 10/100 Mbps Filter 8P,8C, Shielded, SMT Type,