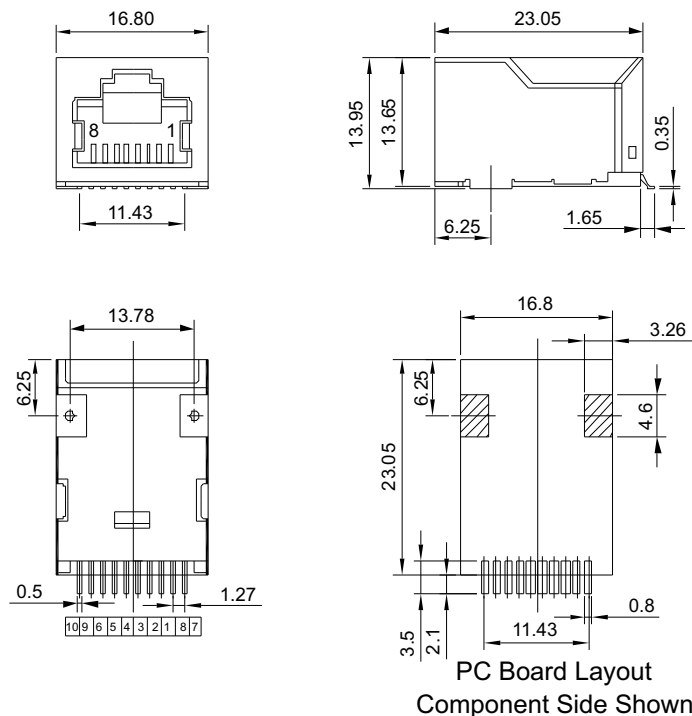
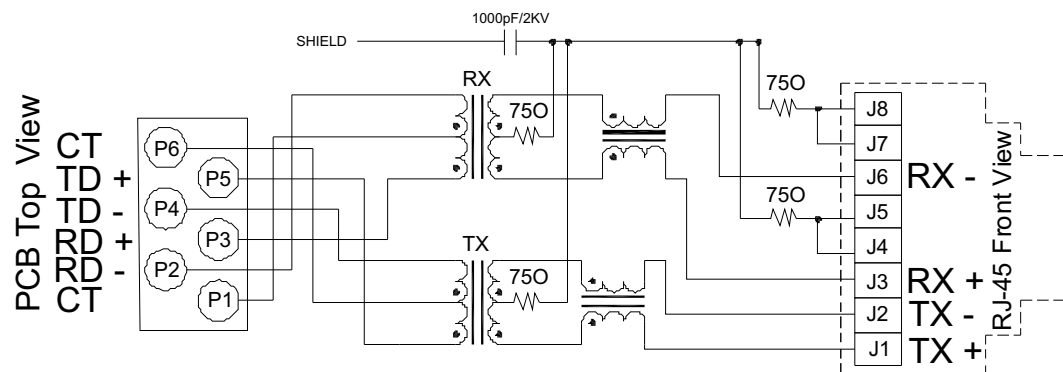


## 一、Mechanical Dimensions



Unit: mm Unless otherwise specified, all tolerances are  $\pm 0.25$

## 二、Schematics



## 三、ELECTRICAL SPECIFICATIONS@25 °C:

1. Turns Ratio( $\pm 3\%$ ): 1CT:1CT
2. Inductance (100KH  $z/0.1V@8mA$ ): 350uH MIN
3. Insertion Loss (dB MAX): -1.0dB(0.1-100MHz)
4. Return Loss(dB MIN): -16dB(1-30MHz), -14dB(40MHz), -13dB(50MHz), -12dB(60-80MHz)
5. Crosstalk(dB TYP): -35dB(0.1-100MHz)
6. CMR(dB TYP): -42dB(32MHz), -37dB(62MHz), -33dB(100MHz)
7. HI-POT (Pri to Sec): 1500Vrms/0.5mA/60Sec or 1650Vrms/0.5mA/2Sec
8. Operating Temperature : -40°C~+85°C
9. RoHS compliance: YES

RoHS Compliant

TOLERANCES ARE

**MORETHANALL**  
PCB CONNECTORS  
Cable ASSEMBLIES

煜倫股份有限公司

www.morethanall.com

DRAWING BY CY

CHECKED BY GENIUS

UNIT / mm

SCALE 1 : 1

DATE

SIZE A4

P PROJECTION

X,  $\pm$   
.X  $\pm$   
.XX  $\pm$   
.XXX  $\pm$   
ANG  $\pm$

照片框

ORDER INFORMATION

MJWF13T16U-KX06NX1-0808-LF

SERIES

BLACK

06u" GOLD

NON POST

INNER EAR

8P8C

LEADFREE

NON SPRING

DESCRIPTION: