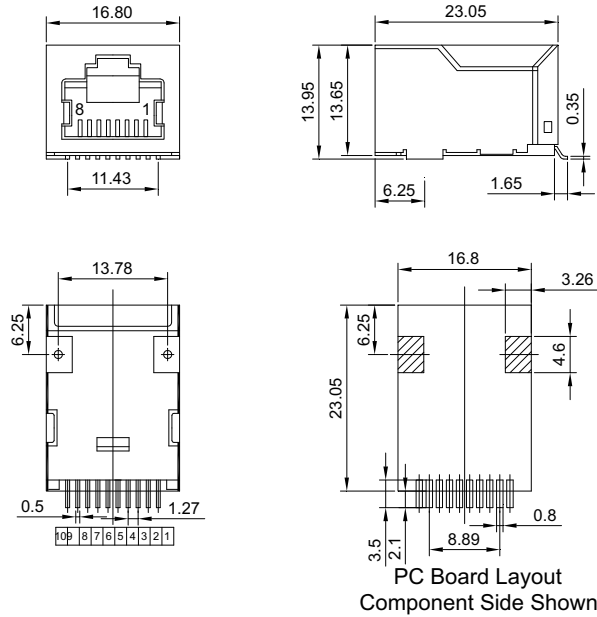
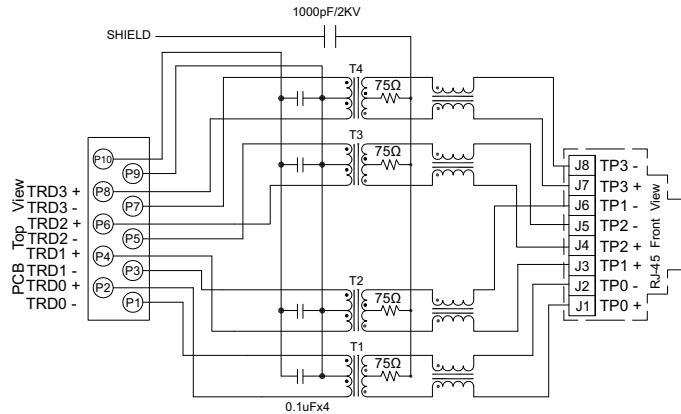


一、Mechanical Dimensions



Unit : mm Unless otherwise specified, all tolerances are ± 0.25

二、Schematics



三、ELECTRICAL SPECIFICATIONS@25°C:

1. Turns Ratio($\pm 5\%$): 1CT:1CT
2. Inductance (100KHz/0.1V@8mA):350uH MIN
3. Insertion Loss (dB MAX): -1.0dB(1-100MHz)
4. Return Loss(dB MIN): -18dB(1-30MHz),-15dB(30-60MHz),-12dB(60-80MHz),
-10dB(80-100MHz)
5. Crosstalk(dB MIN): -37dB(1-30MHz), -32dB(30-60MHz),-27dB(60-100MHz)
6. CMR(dB MIN): -35dB(1-30MHz), -30dB(30-100MHz)
7. HI-POT(Pri to Sec):1500Vrms
8. Operating Temperature: $-20^{\circ}\text{C} \sim +85^{\circ}\text{C}$
9. RoHS compliance: YES

MJWF13T090U-KX06NX1R-0808

RoHS Compliant

MORETHANALL
CONNECTORS
ASSEMBLIES

PART NO. MJWF13T090U-KX06NX1R-0808

DWG NO. MJWF13T090U-KX06NX1R-0808

FILE NO.

CHECKED BY CY

DRAWING BY

TOLERANCES ARE

X, \pm
.X \pm
.XX \pm
.XXX \pm
ANG

DESCRIPTION:

**1000 BASE-T SINGLE PORT SMD
RJ-45 JACK MAGNETICS**

AREA

REVISIONS

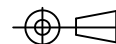
DATE

焯倫股份有限公司

UNIT / mm

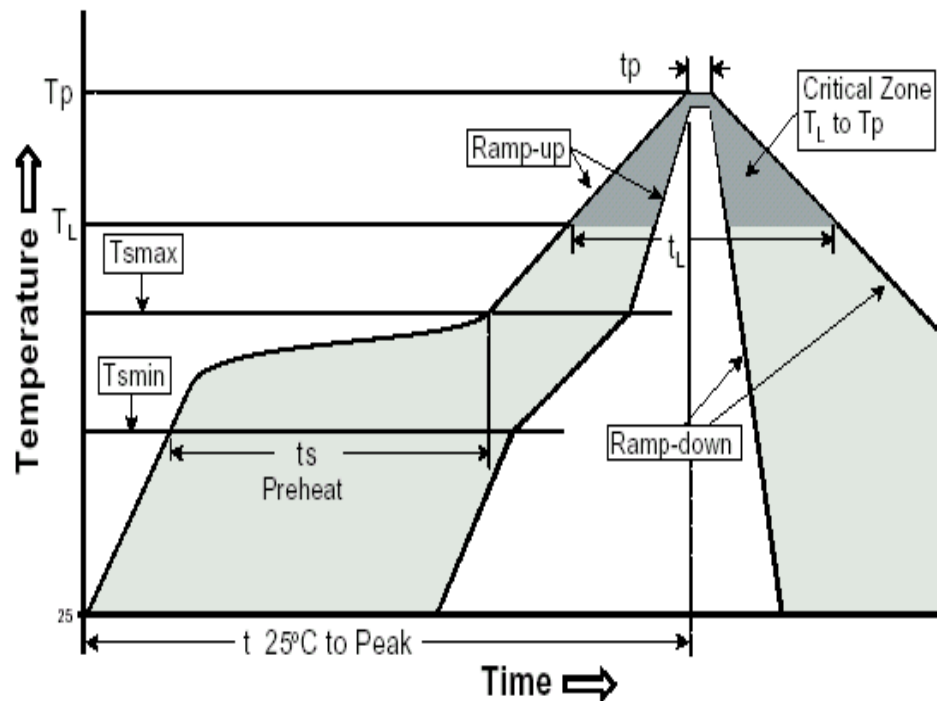
SCALE 1:1

PROJECTION



四、RoHS compliant type

Our RoHS parts just can withstand IR Reflow peak temperature: 260degC+/-5degC as the following profile:



Profile Feature	Pb-Free Assembly
Average Ramp-Up Rate (T_{smax} to T_p)	3°C /second max.
Preheat -Temperature Min (T_{smin}) -Temperature Max (T_{smax}) -Time (t_{smin} to t_{smax})	100°C 150°C 60-120 seconds
Time maintained above: -Temperature (T_L) -Time (t_L)	183°C 60-150 seconds
Peak/Classification Temperature (T_p)	260±5°C
Time within 5°C of actual Peak Temperature (t_p)	10-20 seconds
Ramp-Down Rate	6°C/seconds max
Time 25°C to Peak Temperature	6 minutes max.

MORETHANALL
CONNECTORS
ASSEMBLIES

PART NO. MJWF13T090U-KX06NX1R-0808

DWG NO. MJWF13T090U-KX06NX1R-0808

FILE NO.

CHECKED BY CY

DRAWING BY

TOLERANCES ARE

X.±
.X±
.XX±
.XXX±
ANG

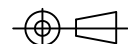
DESCRIPTION:

焯倫股份有限公司

UNIT / mm

SCALE 1:1

PROJECTION



AREA

REVISIONS

DATE

五、Mechanicals

Housing Material:

MATERIAL:Fr52 STANDARD COLOR:BLACK

Insert Material:

MATERIAL:Phos bronze C5210 EH---0.35mm Thickness

Insert BT GF UL94V-0

- 1.PLATING(1) NICKEL
- 2.PLATING(2) 100%Sn
- 3.PLATING(3) GOLD (3u " ~50u ")

Plate Material:

PBT GF UL 94V-0

Contact pin Material:

MATERIAL: Phos bronze C5191 ---0.35mm Thickness

- 1.PLATING(1) NICKEL
- 2.PLATING(2) 100%Sn

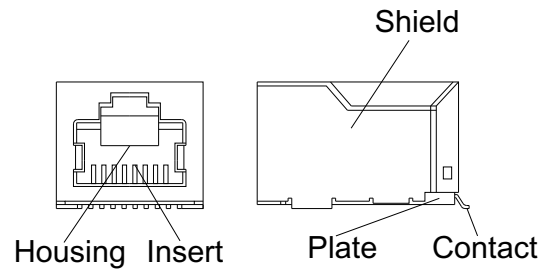
Shielding Material:

BRASS C2680 PLATING NICKEL

Operating Life:750 Cycles MIN.

Environmental:

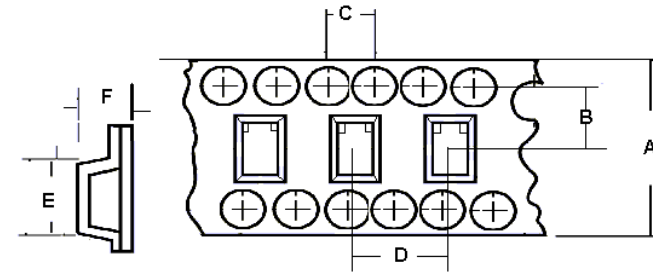
- 1.Storage Temp:-40°C TO +85°C .
- 2.Operating Temp:-20°C TO +85°C .
3. MATES WITH MODULAR PLUG CONFORMING TO FCC PART 68,SUBPARTF.



六、Packaging

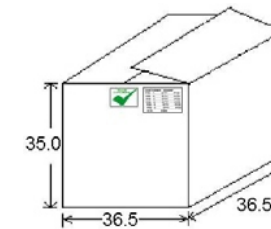
Packing Information

- 1.Tape & Reel-----150pcs/1Roll
2. Packaging material: PS



Tape Size(mm)					
A	B	C	D	E	F
44.0 ±0.3	28.2 ±0.1	4.0 ±0.1	28.0 ±0.1	25.3 ±0.1	14.4 ±0.1

3.outer carton unit : 900pcs/ 6Roll /box



Unit:cm

MORETHANALL
CONNECTORS
ASSEMBLIES

PART NO. MJWF13T090U-KX06NX1R-0808

DWG NO. MJWF13T090U-KX06NX1R-0808

FILE NO.

CHECKED BY CY

DRAWING BY

TOLERANCES ARE

X. ±
.X ±
.XX ±
.XXX ±
ANG

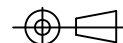
DESCRIPTION:

煜倫股份有限公司

UNIT / mm

SCALE 1:1

PROJECTION

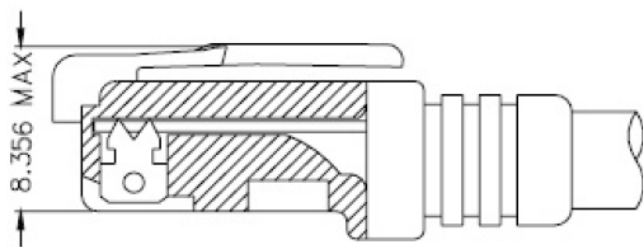
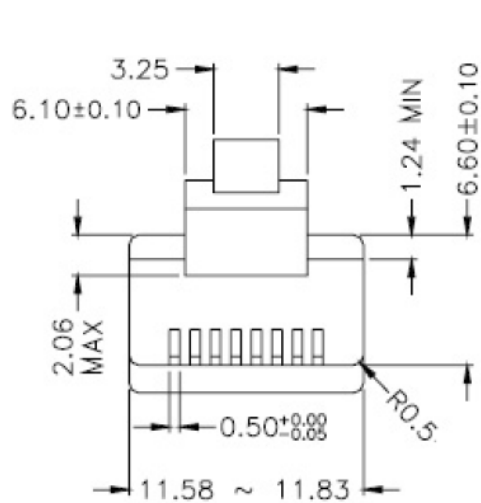


AREA

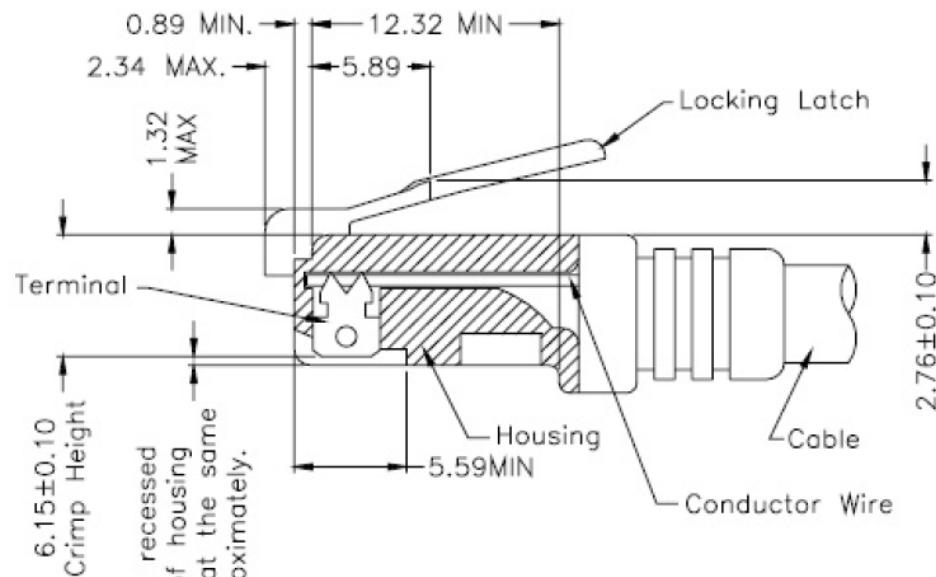
REVISIONS

DATE

七、RJ PLUG SPECIFICATION



FOLLOW SPECIFICATION : FCC, PART 68, SUBPART F
FIGURE 68.500 (C)(2)(ii)



All contacts recessed below top of housing and must be at the same height approximately.

FOLLOW SPECIFICATION : FCC, PART 68, SUBPART F FIGURE 68.500 (C)(2)(i) AND IEC 603-7 FIGURE 23 & 24

STANDARD MODULAR PLUG ASSEMBLY



PART NO. MJWF13T090U-KX06NX1R-0808

DWG NO. MJWF13T090U-KX06NX1R-0808

FILE NO.

CHECKED BY CY

DRAWING BY

TOLERANCES ARE

- X.±
- .X±
- .XX±
- .XXX±
- ANG

DESCRIPTION:			
AREA	REVISIONS	DATE	

焯倫股份有限公司

UNIT / mm

SCALE 1:1

PROJECTION