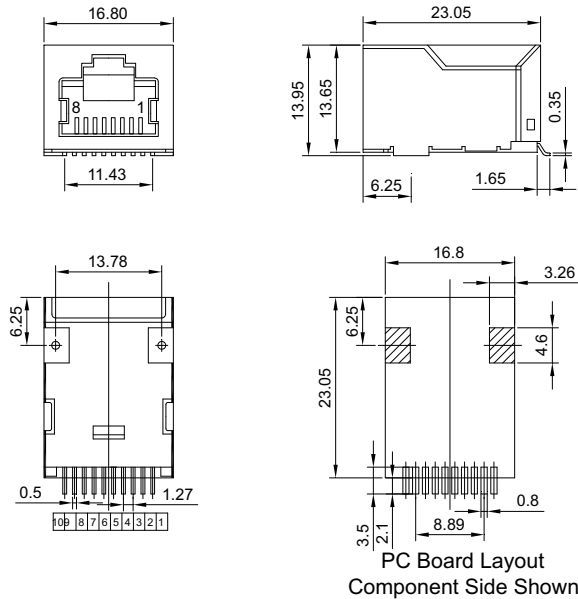
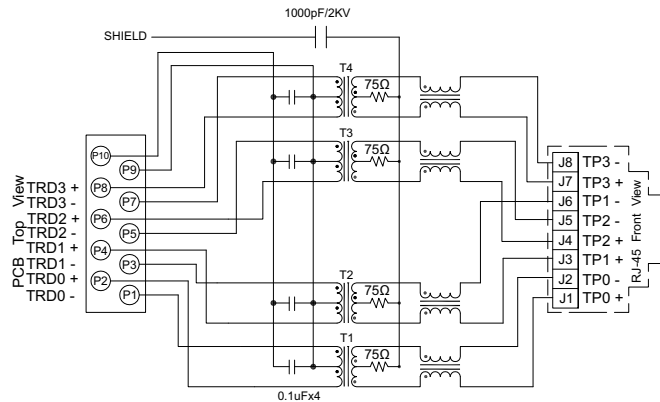


一、Mechanical Dimensions



Unit : mm Unless otherwise specified, all tolerances are ± 0.25

二、Schematics



三、ELECTRICAL SPECIFICATIONS@25°C:

1. Turns Ratio($\pm 5\%$): 1CT:1CT
2. Inductance (100KHz/0.1V@8mA):350uH MIN
3. Insertion Loss (dB MAX): -1.0dB(1-100MHz)
4. Return Loss(dB MIN): -18dB(1-30MHz),-15dB(30-60MHz),-12dB(60-80MHz),
-10dB(80-100MHz)
5. Crosstalk(dB MIN): -37dB(1-30MHz), -32dB(30-60MHz),-27dB(60-100MHz)
6. CMR(dB MIN): -35dB(1-30MHz), -30dB(30-100MHz)
7. HI-POT(Pri to Sec):1500Vrms
8. Operating Temperature: $-20^{\circ}\text{C}\sim+85^{\circ}\text{C}$
9. RoHS compliance: YES

RoHS Compliant

TOLERANCES ARE

MORETHANALL
PCB CONNECTORS
Cable ASSEMBLIES

煜倫股份有限公司

www.morethanall.com

DRAWING BY CY

CHECKED BY GENIUS

UNIT / mm SCALE 1 : 1

DATE

SIZE A4

X, \pm

.X \pm

.XX \pm

.XXX \pm

ANG \pm

PJECTION

照片框

ORDER INFORMATION

MJWF13T090U-KX06NX1-0808

SERIES

8P8C

BLACK

NON EAR

06u" GOLD

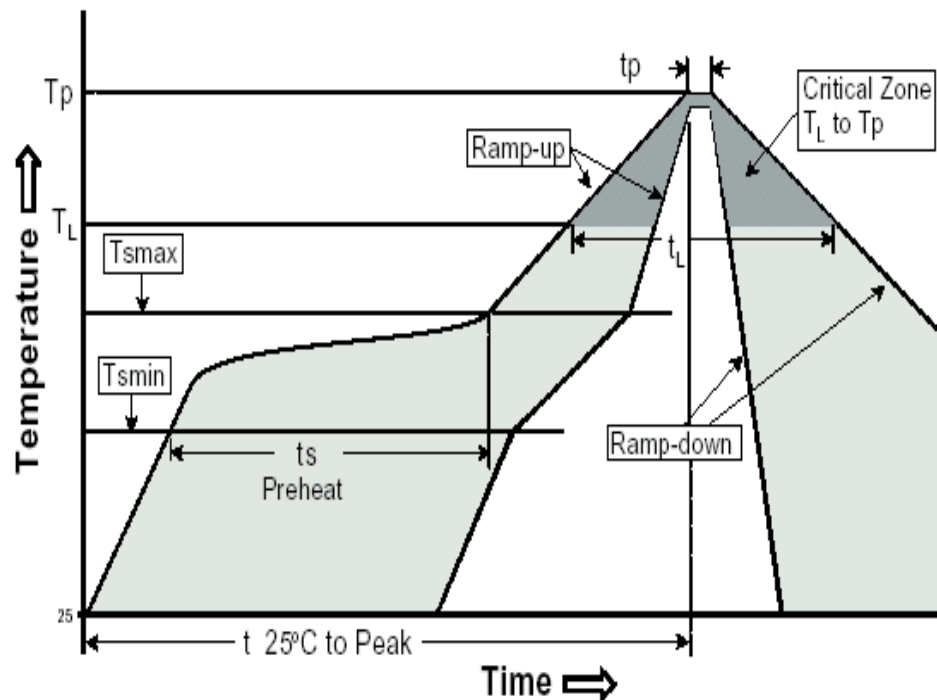
NON POST

INNER EAR

DESCRIPTION: 1000 BASE-T SINGLE PORT SMD RJ-45 JACK MAGNETICS

四、RoHS compliant type

Our RoHS parts just can withstand IR Reflow peak temperature: 260degC+/-5degC as the following profile:



Profile Feature	Pb-Free Assembly
Average Ramp-Up Rate ($T_{s \max}$ to T_p)	3°C /second max.
Preheat -Temperature Min ($T_{s \min}$) -Temperature Max ($T_{s \max}$) -Time ($t_{s \min}$ to $t_{s \max}$)	100°C 150°C 60-120 seconds
Time maintained above: -Temperature (T_l) -Time (t_l)	183°C 60-150 seconds
Peak/Classification Temperature (T_p)	260±5°C
Time within 5°C of actual Peak Temperature (t_p)	10-20 seconds
Ramp-Down Rate	6°C/seconds max
Time 25°C to Peak Temperature	6 minutes max.

RoHS Compliant

TOLERANCES ARE

MORETHANALL
PCB CONNECTORS
Cable ASSEMBLIES

煜倫股份有限公司

www.morethanall.com

DRAWING BY CY

CHECKED BY GENIUS

UNIT / mm SCALE 1 : 1

DATE

SIZE A4

X, ±

.X ±

.XX ±

.XXX ±

ANG ±

PJECTION

照片框

ORDER INFORMATION

MJWF13T090U-KX06NX1-0808

SERIES

BLACK

NON EAR

06u" GOLD

8P8C

NON POST

INNER EAR

DESCRIPTION:

五、Mechanicals

Housing Material:

MATERIAL:Fr52 STANDARD COLOR:BLACK

Insert Material:

MATERIAL:Phos ronze C5210 EH---0.35mm Thickness

Insert BT GF UL94V-0

- 1.PLATING(1) NICKEL
- 2.PLATING(2) 100%Sn
- 3.PLATING(3) GOLD (3u " ~50u ")

Plate Material:

PBT GF UL 94V-0

Contact pin Material:

MATERIAL: Phos ronze C5191 ---0.35mm Thickness

- 1.PLATING(1) NICKEL
- 2.PLATING(2) 100%Sn

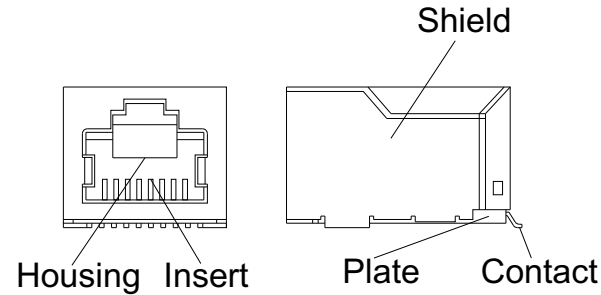
Shielding Material:

BRASS C2680 PLATING NICKEL

Operating Life:750 Cycles MIN.

Environmental:

- 1.Storage Temp:-40°C TO +85°C.
- 2.Operating Temp:-20°C TO +85°C.
3. MATES WITH MODULAR PLUG CONFORMING TO FCC PART 68,SUBPARTF.



MORETHANALL
PCB CONNECTORS
Cable ASSEMBLIES

煜倫股份有限公司

www.morethanall.com

RoHS Compliant

DRAWING BY CY

CHECKED BY GENIUS

UNIT / mm

SCALE 1 : 1

DATE

SIZE A4

TOLERANCES ARE

X. ±
.X ±
.XX ±
.XXX ±
ANG ±

PJECTION

照片框

ORDER INFORMATION

MJWF13T090U-KX06NX1-0808

SERIES

8P8C

BLACK

NON EAR

06u" GOLD

NON POST

INNER EAR

DESCRIPTION: