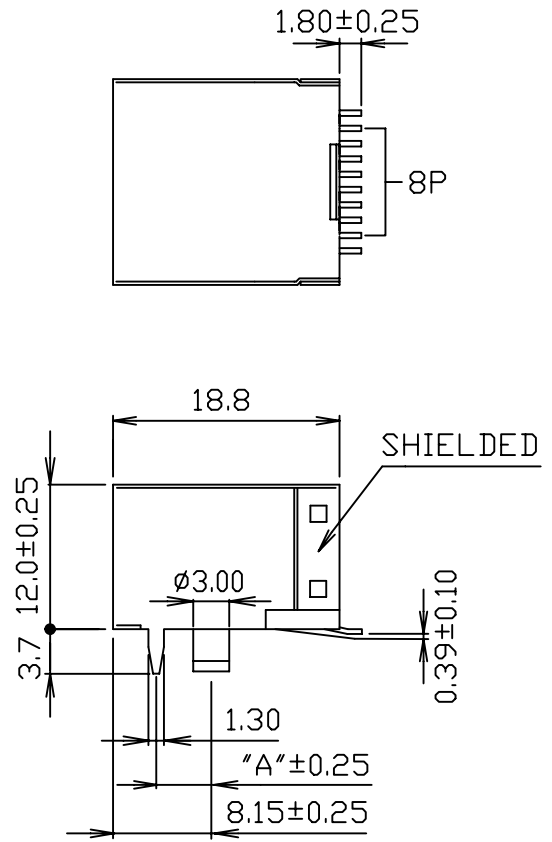
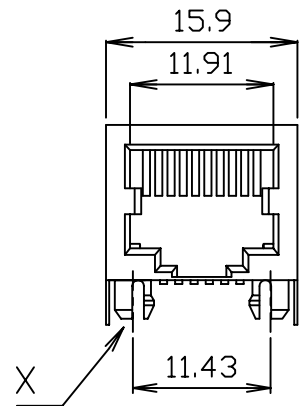
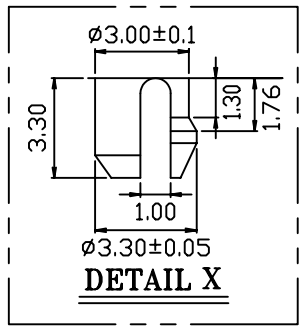
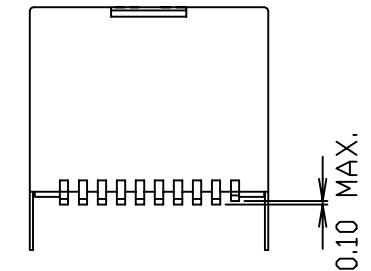


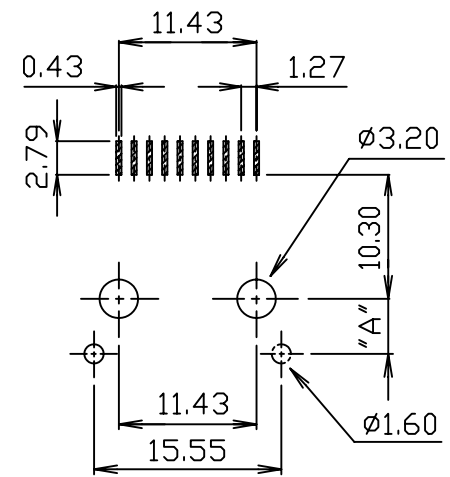
1 2 3 4 5 6 7 8 9 0

J
I
H
G
F
E
D
C
B
A

COPLANARITY:
THE MAXIMUM DISTANCE (0.10mm)
BETWEEN LOWEST AND
HIGHEST PIN WHEN
BOTTOM OF PART PUT
ON A FLAT SURFACE



MATERIALS:
HOUSING-NYLON ZYTEL FR-50
HEAT DEFLECTION TEMP.255°
BLACK COLOR, UL94V-0
CONTACTS -0.35mm THICK PHOS-BROZNE PLATED
WITH HARD GOLD AND TIN/LEAD
IN SOLDER AREA.
SHIELD-0.25mm THICK COPPER ALLOY,
PLATED WITH NICKEL.
CAVITY CONFIRMS TO FCC RULES AND REGULATIONS
PART 68,SUBPART F.



PC Board Layout



煜倫有限公司

PART NO. MJWF12-KXxxAX-1010		CHECKED BY CY		TOLERANCES ARE .X ±0.25 .XX ±0.13 .XXX ±0.05 AWG		DESCRIPTION: 10POSITION SIDE ENTRY SMT TYPE VERY LOW PROFILE, SHIELDED PCB JACK				
DWG NO. MJWF12-KXxxAX-1010		DRAWING BY								
FILE NO.		PROJECTION		AREA	REVISIONS	HK	DATE			
UNIT / mm	SCALE 1:1									