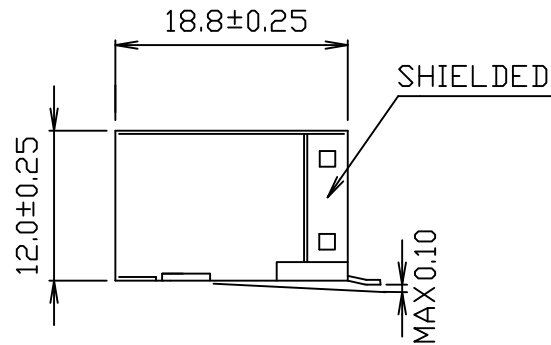
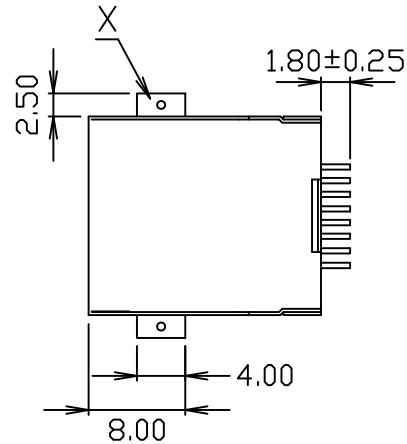
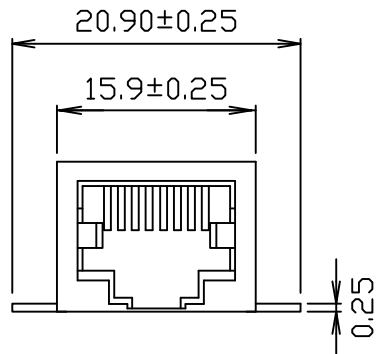
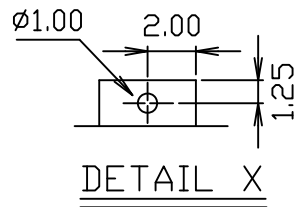
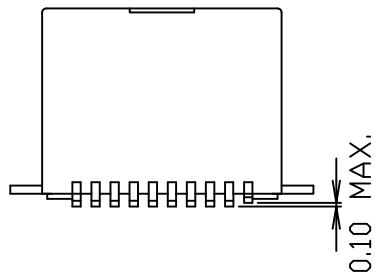
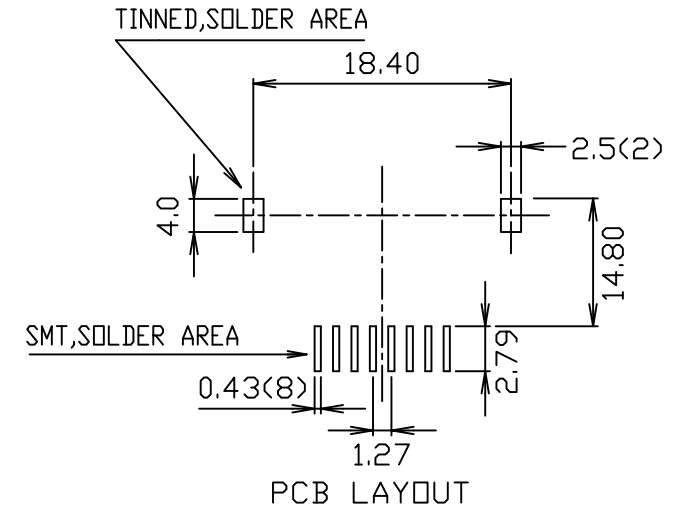


COPLANARITY:
THE MAXIMUM DISTANCE (0.10mm)
BETWEEN LOWEST AND
HIGHEST PIN WHEN
BOTTOM OF PART PUT
ON A FLAT SURFACE



MATERIALS:
HOUSING-DSM STANYL TE250F6 (NYLON-46)
HEAT DEFLECTION TEMP.290°
BLACK COLOR, UL94V-0
OR-NYLON ZYTEL FR-52
HEAT DEFLECTION TEMP.278°
BLACK COLOR, UL94V-0
TERMINAL-0.35mm THICK PHOS-BRONZE PLATED
WITH HARD GOLD AND TIN/LEAD
IN SOLDER AREA.
SHIELD-0.25mm THICK COPPER ALLOY,
PLATED WITH TIN-LEAD.
CAVITY CONFIRMS TO FCC RULES AND REGULATIONS
PART 68,SUBPART F.



RoHS Compliant

TOLERANCES ARE

MORETHANALL
PCB CONNECTORS
Cable ASSEMBLIES

煜倫股份有限公司

www.morethanall.com

DRAWING BY CY

CHECKED BY GENIUS

UNIT / mm

SCALE 1 : 1

DATE

SIZE A4

PPOJECTION

X. ±
.X ±
.XX ±
.XXX ±
ANG ±

照片框

ORDER INFORMATION

MJWF12-KX06R-0808-LF

SERIES

LEADFREE

8P8C

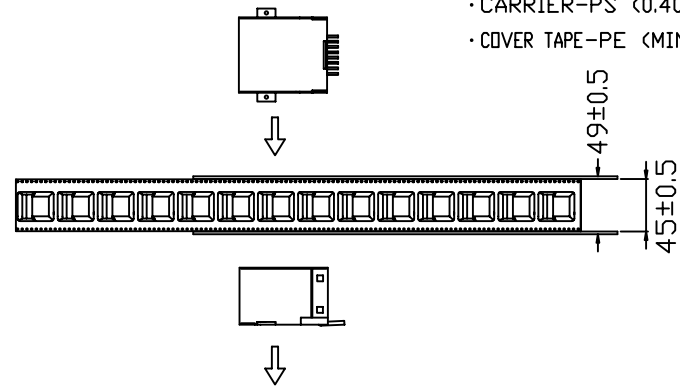
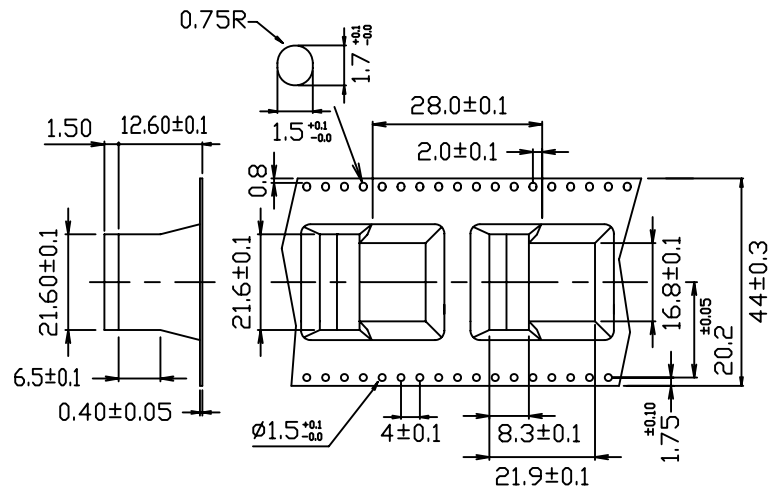
REEL

06u" GOLD

NON EAR

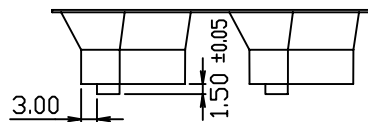
BLACK

DESCRIPTION: 10POSITION SIDE ENTRY SMT TYPE VERY LOW PROFILE, SHIELDED PCB JACK



MATERIALS:

- REEL-2mm THICK PLASTIC WHEEL.
- CARRIER-PS (0.40mm THICK TAPE).
- COVER TAPE-PE (MIN0.045~0.12mm THICK TAPE).

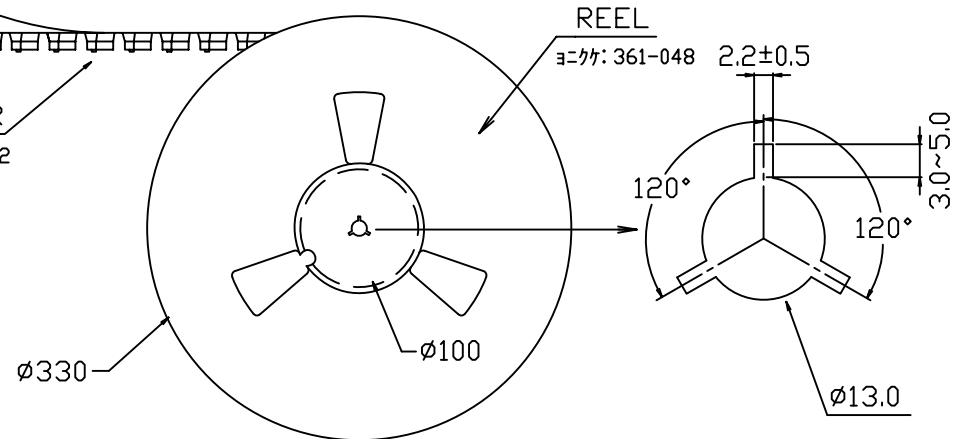


COVER TAPE
零件号: 361-033

CARRIER
零件号: 361-042

REEL

零件号: 361-048 2.2±0.5



外箱料號: 361-052(X1) NO MARK
 外箱料號: 361-173(X1) +TYCO LOGO
 支撐架料號: 361-058(X4)
 軸外保護帶料號: 361-319

NOTES:

- THE DIRECTION OF JACKS PUT INTO CARRIER.
- 10 EMPTY CAVITIES FOR BOTH OF TOP AND BOTTOM OF THE CARRIER.
- 180 PCS PRODUCTS BE PACKAGED ONE REEL.
- CARTON SIZE: 345(L)X345(W)X315(H)
6 REEL/CARTON
TOTAL: 1080 PCS

RoHS Compliant

TOLERANCES ARE

MORETHANALL
PCB CONNECTORS
Cable ASSEMBLIES

DRAWING BY CY

CHECKED BY GENIUS

UNIT / mm SCALE 1 : 1

DATE

SIZE A4

X, ±
X, ±
.XX ±
.XXX ±
ANG ±

P PROJECTION

照片框

ORDER INFORMATION

MJWF12-KX06R-0808-LF

SERIES

REEL
06u" GOLD
NON EAR
BLACK

8P8C
LEADFREE

煜倫股份有限公司

www.morethanall.com

DESCRIPTION: TAPE & REEL PACKAGING SPEC.