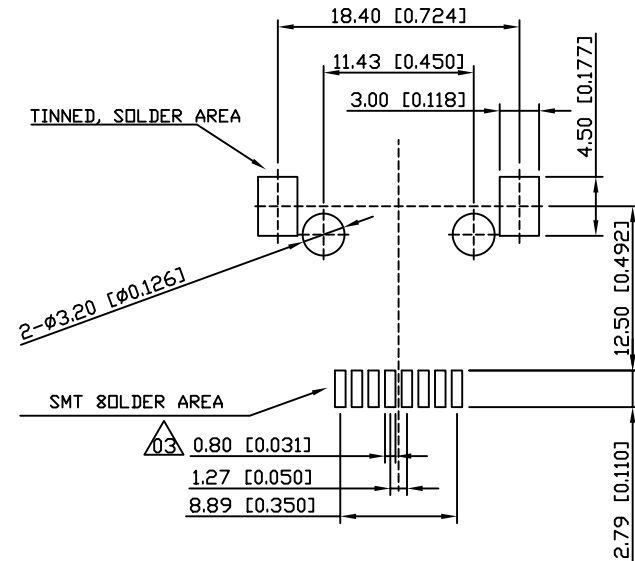
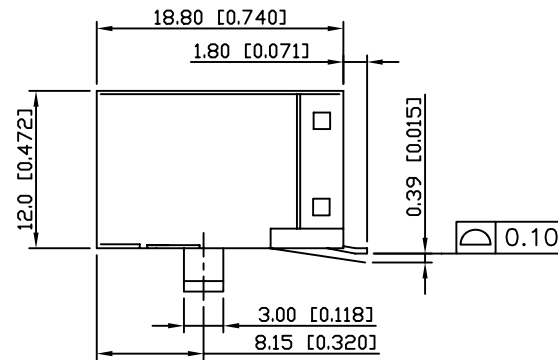
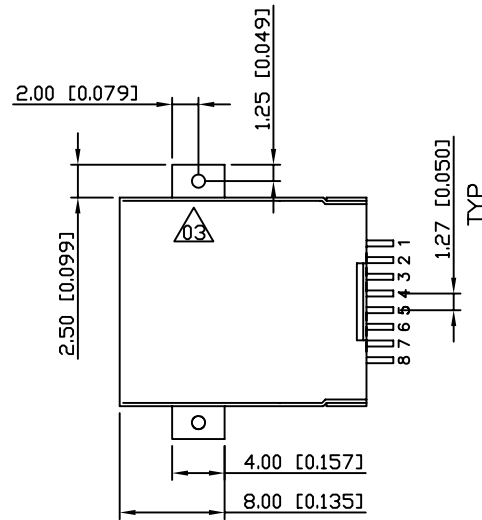
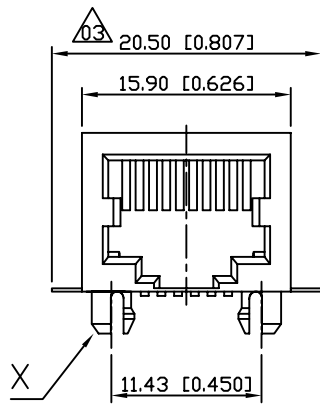


RECOMMENDED  
PANEL CUTOUT DIMENSION



SUGGESTED PCB LAYOUT  
TOP VIEW  
DIMENSIONAL TOLERANCE: .XX ±0.08[0.003]

NOTES:

- MATERIALS:  
HOUSING-NYLON ZYTEL FR-50  
HEAT DEFLECTION TEMP.255°  
BLACK ODOR, UL94V-0  
TERMINAL-0.35mm DIA. THICK PHOS-BRONZE  
PLATED WITH 15μ" GOLD AND  
GOLD FLASH IN SOLDER AREA.  
SHIELD-0.25mm THICK COPPER ALLOY,  
PLATED WITH NICKEL.
- OPERATING TEMPERATURE : -40°~85°
- CAVITY CONFORMS TO FCC RULES AND REGULATIONS  
PART 68,SUBPART F.
- UNSPECIFIED TOLERANCE: .XX ±0.25[0.010]  
.X ±0.30[0.012]

RoHS Compliant

TOLERANCES ARE

**MORETHANALL**  
PCB CONNECTORS  
Cable ASSEMBLIES

DRAWING BY CY

X.±

CHECKED BY GENIUS

.X±

UNIT / mm

SCALE 1 : 1

.XX±

DATE

.XXX±

ANG±

煜倫股份有限公司

www.morethanall.com

SIZE A4

PJECTION

照片框

ORDER INFORMATION

MJWF12-KX06EP2-0808-LF

SERIES

8P8C LEADFREE  
EAR+POST/2  
06u" GOLD  
NON EAR  
BLACK

DESCRIPTION: RJ45, Connectors, 8P,8C, Shielded, SMT TYPE