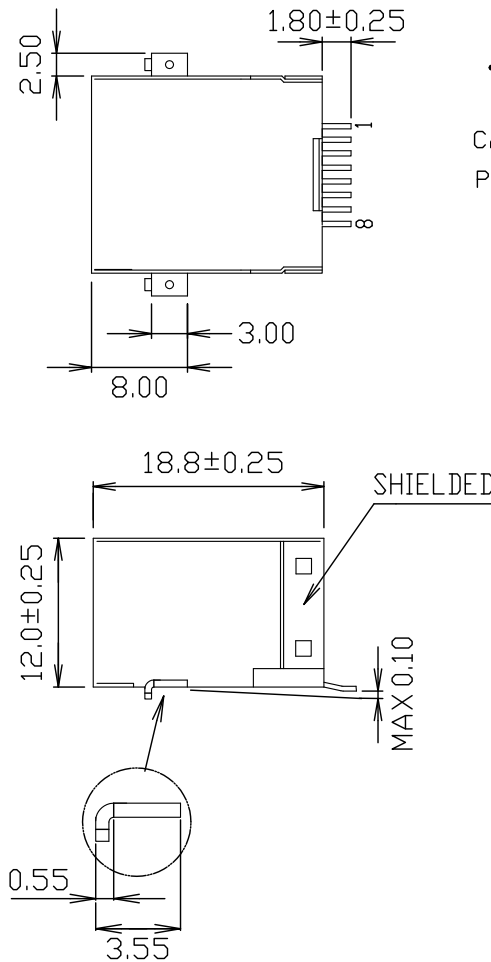
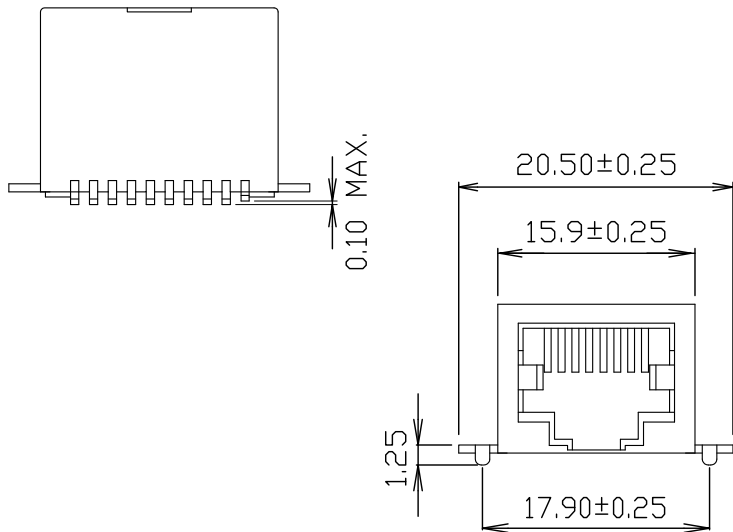
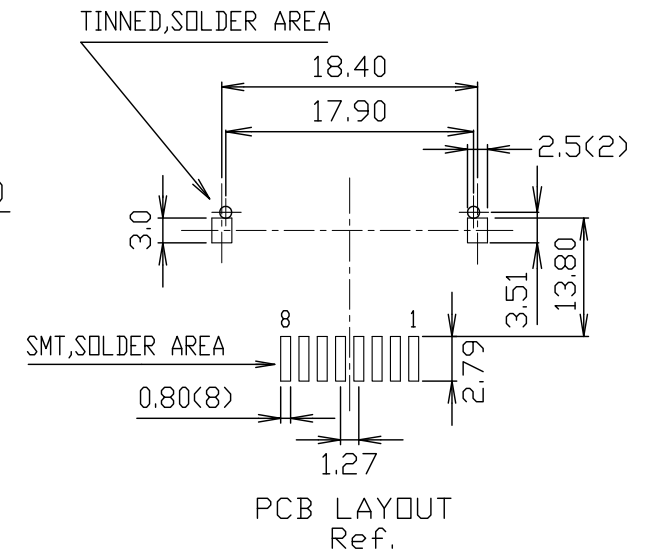


COPLANARITY:
THE MAXIMUM DISTANCE (0.10mm)
BETWEEN LOWEST AND
HIGHEST PIN WHEN
BOTTOM OF PART PUT
ON A FLAT SURFACE



- MATERIALS:
- HOUSING - DSM STANYL TE250F6 (NYLON-46)
HEAT DEFLECTION TEMP. 290°
BLACK COLOR, UL94V-0
 - CONTACTS - 0.35mm THICK PHOS-BRONZE PLATED
WITH HARD GOLD AND GOLD FLASH
IN SOLDER AREA.
 - SHIELD - 0.20mm THICK COPPER ALLOY,
PLATED WITH NICKEL.
- CAVITY CONFIRMS TO FCC RULES AND REGULATIONS
PART 68, SUBPART F.



RoHS Compliant

TOLERANCES ARE

MORETHANALL
PCB CONNECTORS
Cable ASSEMBLIES

DRAWING BY CY

X. ±
.X ±

CHECKED BY GENIUS

.XX ± 0.10

UNIT / mm SCALE 1 : 1

.XXX ± 0.05

DATE

ANG ±

SIZE A4

PJECTION

照片框

ORDER INFORMATION

MJWF12-KX06EM2-0808-LF

SERIES | | | | LEADFREE
8P8C
METAL FOOT
EAR
NON EAR
BLACK | | | | 06u" GOLD

煜倫股份有限公司

www.morethanall.com

DESCRIPTION: 10POSITION SIDE ENTRY SMT TYPE VERY LOW PROFILE, SHIELDED PCB JACK