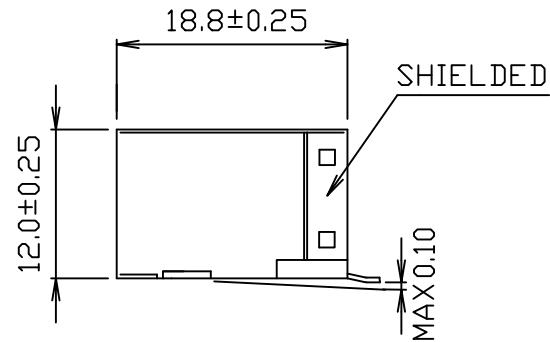
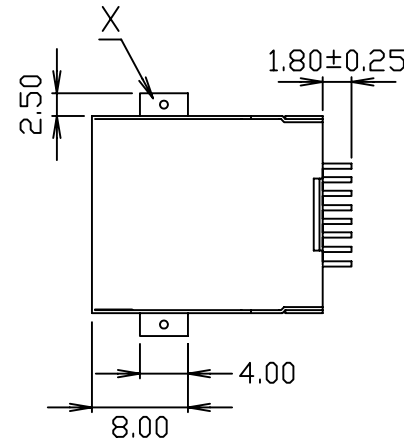
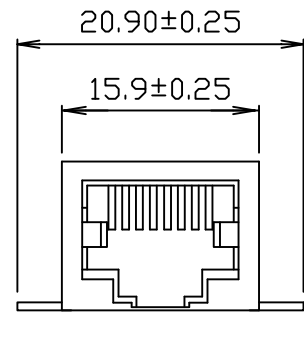
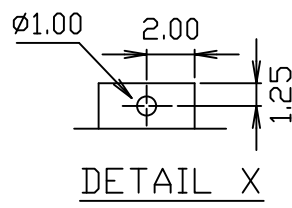
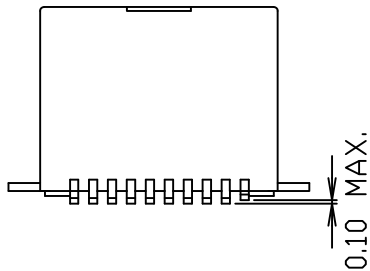
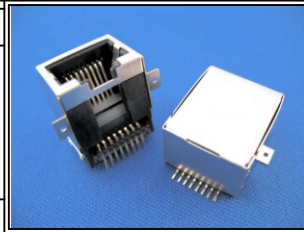
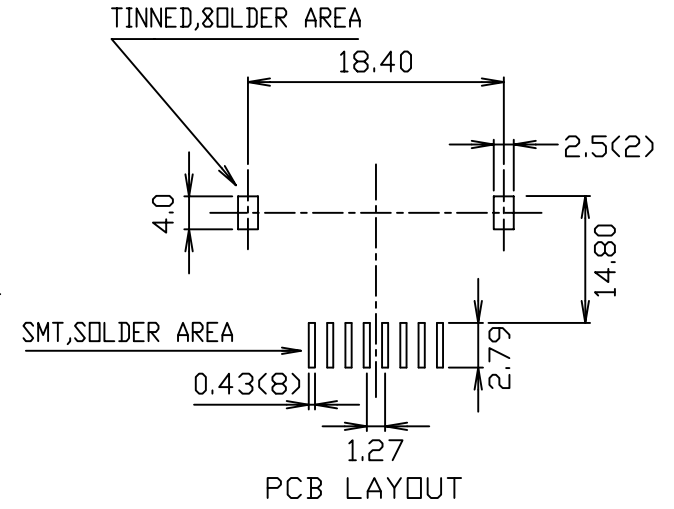


COPLANARITY:
 THE MAXIMUM DISTANCE (0.10mm)
 BETWEEN LOWEST AND
 HIGHEST PIN WHEN
 BOTTOM OF PART PUT
 ON A FLAT SURFACE



MATERIALS:
 HOUSING-DSM STANYL TE250F6 (NYLON-46)
 HEAT DEFLECTION TEMP.290°
 BLACK COLOR, UL94V-0
 OR-NYLON ZYTEL FR-52
 HEAT DEFLECTION TEMP.278°
 BLACK COLOR, UL94V-0
 TERMINAL-0.35mm THICK PHOS-BRONZE PLATED
 WITH HARD GOLD AND TIN/LEAD
 IN SOLDER AREA.
 SHIELD-0.25mm THICK COPPER ALLOY,
 PLATED WITH TIN-LEAD.
 CAVITY CONFORMS TO FCC RULES AND REGULATIONS
 PART 68,SUBPART F.



RoHS Compliant		TOLERANCES ARE	
DRAWING BY CY		X, ±	
CHECKED BY GENIUS		.X, ±	
UNIT / mm	SCALE 1 : 1	.XXX, ±	
DATE		ANG, ±	
SIZE A4	PPOJECTION		

MORETHANALL
 PCB CONNECTORS
 Cable ASSEMBLIES
 煜倫股份有限公司
 www.morethanall.com

ORDER INFORMATION
 MJWF12-KX06E1-0808-LF
 SERIES | EAR | 8P8C | LEADFREE
 | 06u" GOLD |
 | NON EAR |
 | BLACK |

DESCRIPTION: 10POSITION SIDE ENTRY SMT TYPE VERY LOW PROFILE, SHIELDED PCB JACK