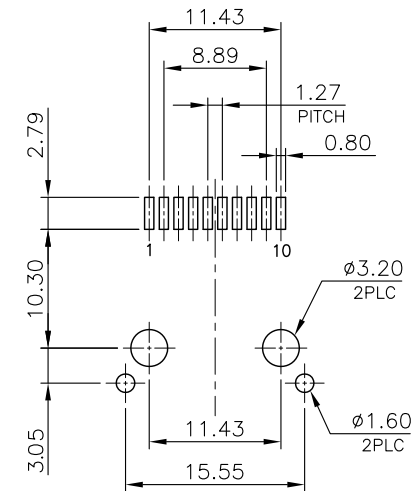
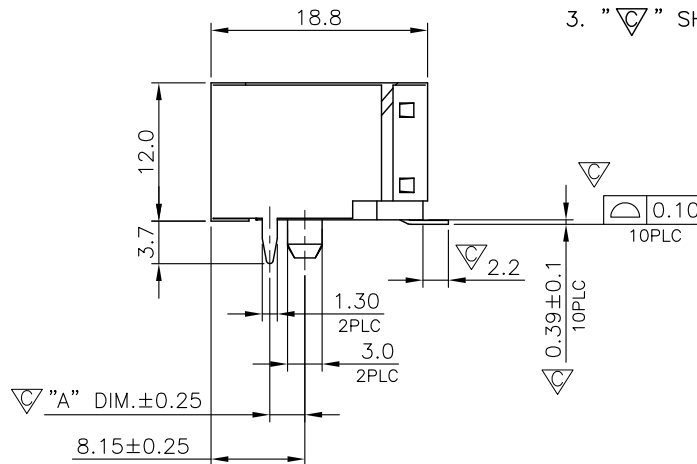
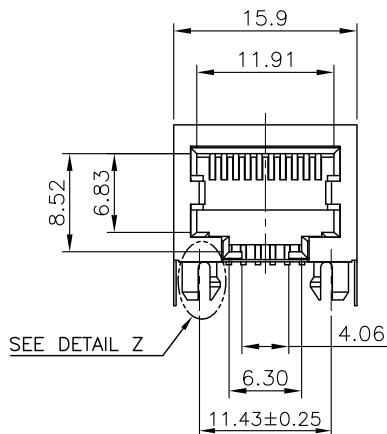


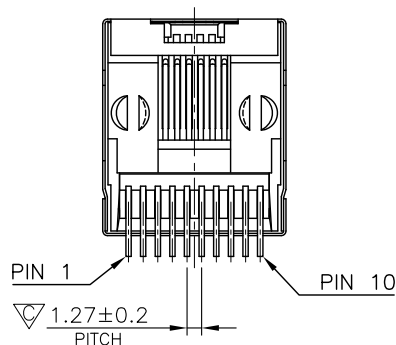
DETAIL Z
SCALE 2:1

NOTE:
CAVITY CONFORMS TO FCC RULES AND REGULATIONS PART 68, SUBPART F.

1. MATERIAL:
 - 1.1 HOUSING: PA46, WITH GLASS FIBER, UL94V-0, STANDARD COLOR-BLACK.
 - 1.2 INSERT HOUSING: PA46, WITH GLASS FIBER, UL94V-0, STANDARD COLOR-BLACK.
 - 1.3 CONTACTS: PHOSPHOR BRONZE.
 - 1.4 SHELL: BRASS.
2. FINISH:
 - 2.1 CONTACTS: GOLD PLATED ON CONTACT AREA, GOLD FLASH ON SOLDER TAIL, 1.27 μ m [50 μ "] MIN. NICKEL UNDERPLATED OVERALL.
 - 2.2 SHELL: 0.508 μ m [20 μ "] MIN. NICKEL PLATED.
3. "▽" SHOWS QIP INSPECTION POINT.



RECOMMENDED PCB LAYOUT
PCB THICKNESS: 1.6mm
TOLERANCE: ±0.05mm (TOP VIEW)



RoHS Compliant

TOLERANCES ARE

MORETHANALL
PCB CONNECTORS
Cable ASSEMBLIES

DRAWING BY CY

CHECKED BY GENIUS

UNIT / mm

SCALE 1:1

DATE

SIZE A4

PJECTION

X, ±
.X ± 0.25
.XX ± 0.13
.XXX ± 0.05
ANG ±

照片框

ORDER INFORMATION

MJWF12-KX06A3-1010-LF

SERIES

BLACK

LEADFREE
10P10C

FRONT TAB 3.05mm

06 μ " GOLD
NON EAR

煜倫股份有限公司

www.morethanall.com

DESCRIPTION: 10POSITION, SMT TYPE, WITH SHELL, SIDE ENTRY PCB JACK