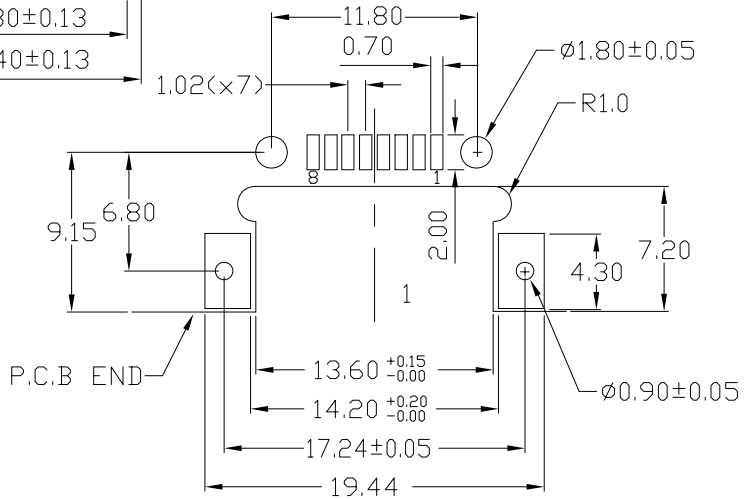
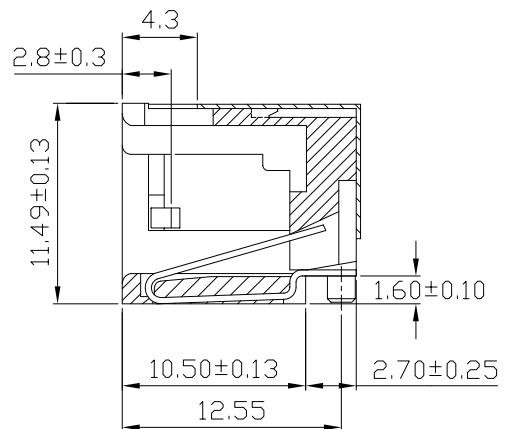
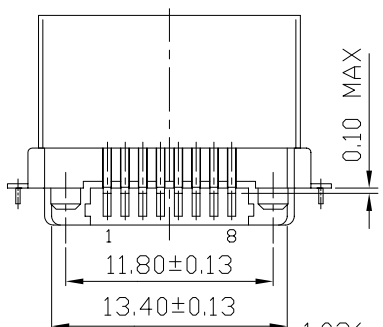
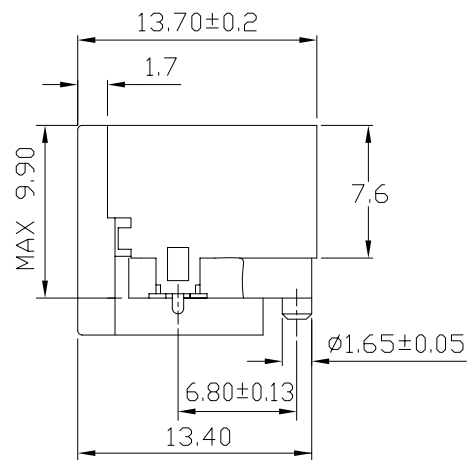
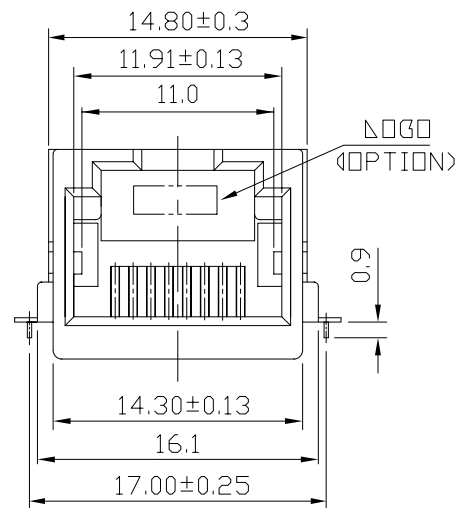


MATERIAL:

- HOUSING-DSM STANYL TE250F6 (NYΔON-46)
HEAT DEFLECTION TEMP.290°
NONMETALLIC PEARL ODDOR, UL94V-0
- CONTACTS-0.35mm THICK PHOS-BRONZE PLATED
WITH HARD GOLD AND GOLD FLASH IN
SOLDER AREA.
- SHIELD-0.25mm THICK COPPER ALLOY,
PLATED WITH NICKEL.

CAVITY CONFIRMS TO FCC RULES AND REGULATIONS
PART 68,SUBPART F.



P.C.B LAYOUT(TOP VIEW)
Ref.

RoHS Compliant

TOLERANCES ARE

照片框

ORDER INFORMATION

MJWF09U-KX06MP-0808-LF

SERIES | 8P8C LEADFREE
METAL POST
06u" GOLD
NON EAR
BLACK

MORETHANALL
PCB CONNECTORS
Cable ASSEMBLIES

煜倫股份有限公司

www.morethanall.com

DRAWING BY CY
CHECKED BY GENIUS
UNIT / mm SCALE 1 : 1
DATE
SIZE A4 PPROJECTION

X. ±
.X ± 0.25
.XX ± 0.13
.XXX ± 0.05
ANG ±

DESCRIPTION: RJ45 RECEPTACLE CONNECTOR