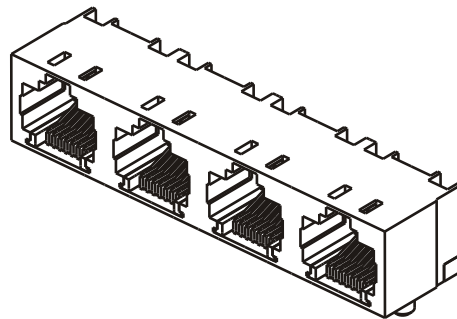
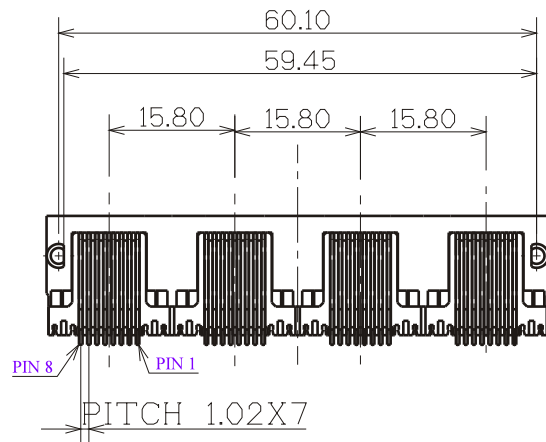


PCB LAYOUT (TOP VIEW)



MATERIAL AND FINISH

HOUSING : 9T POLYESTER UL-94V-0 MIXED GLASS FIBER.  
 STANDARD COLOR FIBER.  
 CONTACT : 0.35mm THICK PHOSPHOR BRONZE PLATED WITH NICKEL.  
 CONTACT PLATED : GOLD 15u" .

ELECTRICAL:  
 1. CURRENT RATING : 1.5 AMP.  
 2. VOLTAGE RATING : 150 VAC.  
 3. CONTACT RESISTANCE : 30 MILLIOHMS MAX.  
 4. INSULATION RESISTANCE : 500 MILLIOHMS MIN.  
 5. DIELECTRIC WITHSTANDING VOLTAGE : 1000 VAC, 1MIN.

RoHS Compliant

TOLERANCES ARE

**MORETHANALL**  
 PCB CONNECTORS  
 Cable ASSEMBLIES

煜倫股份有限公司

www.morethanall.com

DRAWING BY CY

CHECKED BY GENIUS

UNIT / mm

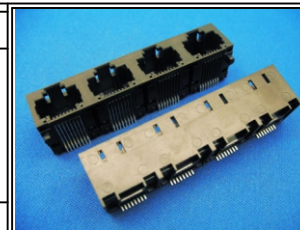
SCALE 1 : 1

DATE

SIZE A4

PJECTION

X, ±  
 .X ±  
 .XX ±  
 .XXX ±  
 ANG ±



ORDER INFORMATION

MJW13UA4-KX15P-0808-LF

SERIES | POST | LEADFREE  
 8P8C | 15u" GOLD | BLACK  
 NON EAR

DESCRIPTION: