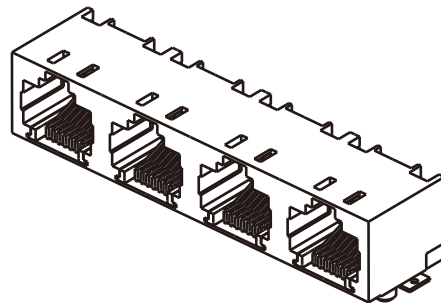
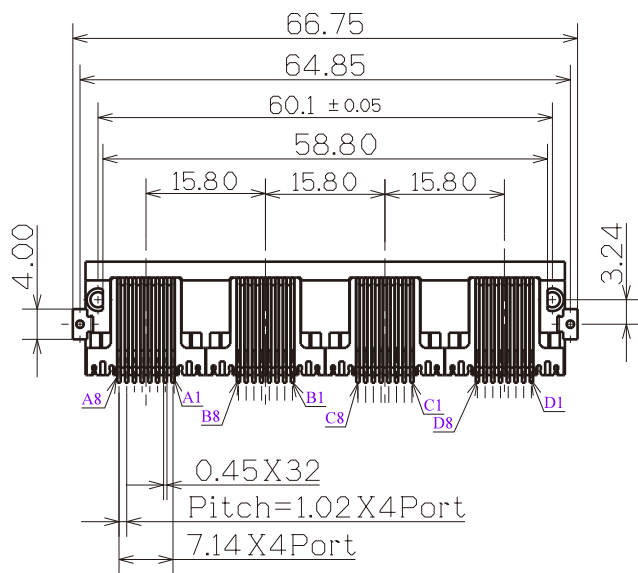


PCB LAYOUT (TOP VIEW)

Material
 Housing : 9T Polyester UL-94V-0 Mixed Glass Fiber.
 Standard Color Fiber.
 Contact : 0.35mm Thick Phosphor Bronze Plated With Nickel.
 Contact Plated : Gold 3u".
 Hold Down : 0.25mm Thick Copper Alloy Plated With Nickel.

- Electrical:
1. Current Rating : 1.5 A.
 2. Voltage Rating : 150 VAC.
 3. Contact Resistance : 30mΩ Max..
 4. Insulation Resistance : 500MΩ Min.
 5. Dielectric Withstanding Voltage : 500 VAC 1minute..



RoHS Compliant

TOLERANCES ARE

MORETHANALL
 PCB CONNECTORS
 Cable ASSEMBLIES

DRAWING BY CY

CHECKED BY GENIUS

UNIT / mm

SCALE 1 : 1

DATE

SIZE A4

PJECTION

X, ±
 .X ± 0.50
 .XX ± 0.25
 .XXX ± 0.05
 ANG ±

照片框

ORDER INFORMATION

MJW13UA4-KX03EP2-0808-LF

SERIES

LEADFREE
 8P8C
 EAR+POST
 03u" GOLD
 NON EAR
 BLACK

煜倫股份有限公司

www.morethanall.com

DESCRIPTION: 4PORT RJ45 JACK-SMT