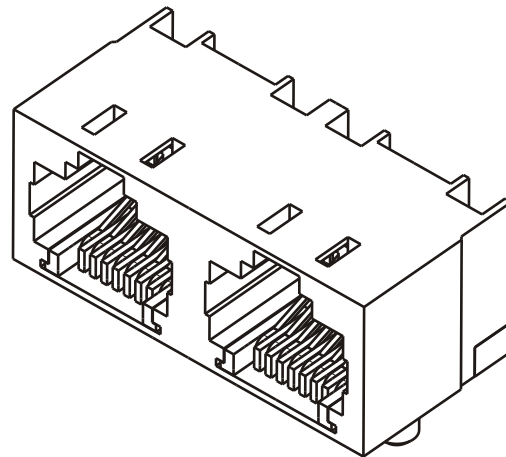
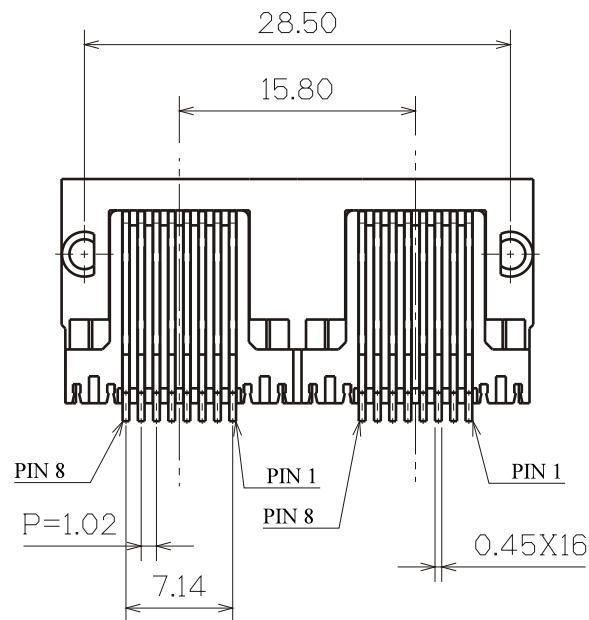


PCB LAYOUT (TOP VIEW)

Material
 Housing : 9T Polyester UL-94V-0 Mixed Glass Fiber.
 Standard Color Fiber.
 Contact : 0.35mm Thick Phosphor Bronze Plated With Nickel.
 Contact Plated : Gold 3u".
 Shield : 0.25mm Thick Copper Alloy Plated With Nickel.

Electrical:
 1. Current Rating : 1.5 A.
 2. Voltage Rating : 150 VAC.
 3. Contact Resistance : 30m Ω Max..
 4. Insulation Resistance : 500M Ω Min.
 5. Dielectric Withstanding Voltage : 500 VAC 1minute..



RoHS Compliant

TOLERANCES ARE

MORETHANALL
 PCB CONNECTORS
 Cable ASSEMBLIES

煜倫股份有限公司

www.morethanall.com

DRAWING BY CY

CHECKED BY GENIUS

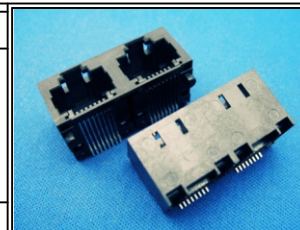
UNIT / mm SCALE 1 : 1

DATE

SIZE A4

X, \pm
 X, \pm
 .XX \pm
 .XXX \pm
 ANG \pm

P PROJECTION



ORDER INFORMATION

MJW13UA2-KX03P-0808-LF

SERIES

8P8C
 POST
 03u" GOLD
 NON EAR
 BLACK

LEADFREE

DESCRIPTION: