

NOTE:

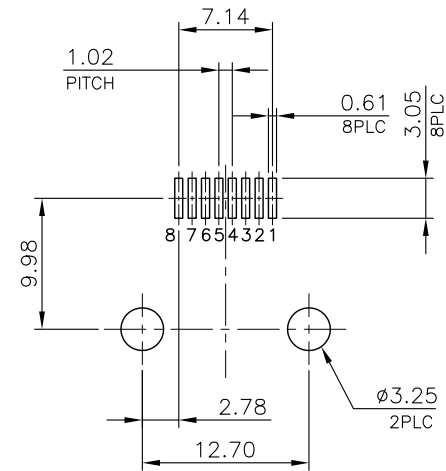
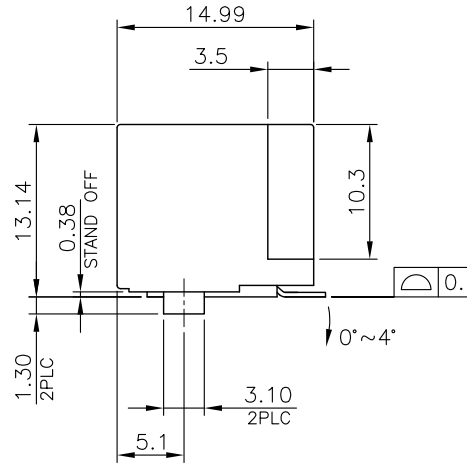
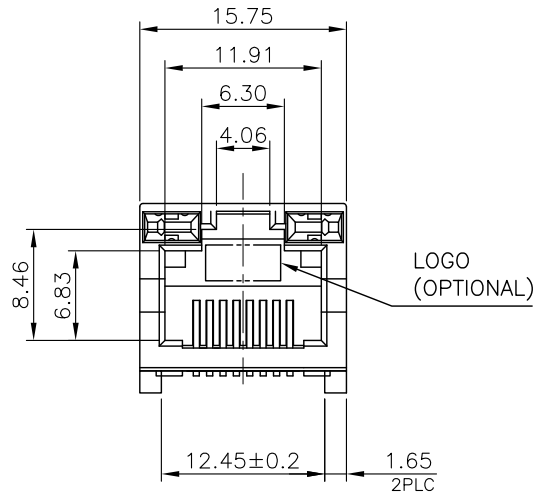
CAVITY CONFIRMS TO FCC RULES AND REGULATIONS PART 68, SUBPART F.

1. MATERIAL:

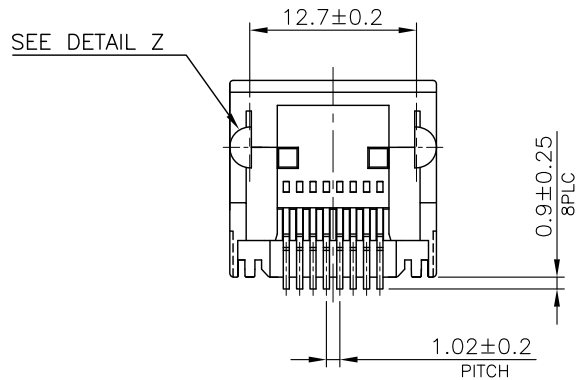
- 1.1 HOUSING & INSERT HOUSING:
PA9T OR PA46, WITH GLASS FIBER,
UL94V-0, STANDARD COLOR-BLACK.
- 1.2 CONTACTS: PHOSPHOR BRONZE.

2. FINISH:

- 2.1 CONTACTS: GOLD PLATED ON CONTACT AREA,
GOLD FLASH ON SOLDER TAIL,
1.27 μ m [50 μ] MIN. NICKEL UNDERPLATED OVERALL.



RECOMMENDED PCB LAYOUT
PCB THICKNESS: 1.6mm
TOLERANCE: ± 0.05 mm (TOP VIEW)



RoHS Compliant

TOLERANCES ARE

MORETHANALL
PCB CONNECTORS
Cable ASSEMBLIES

DRAWING BY CY

CHECKED BY GENIUS

UNIT / mm

SCALE 1 : 1

DATE

SIZE A4

X, \pm
.X \pm 0.25
.XX \pm 0.13
.XXX \pm 0.05
ANG \pm

P PROJECTION

照片框

ORDER INFORMATION

MJW13U-KX06P-0808-LF

SERIES

8P8C
POST
06u" GOLD
NON EAR
BLACK

LEADFREE

煜倫股份有限公司

www.morethanall.com

DESCRIPTION: MODULAR JACK, 8POSITION, SMT TYPE, WITHOUT LED & SHELL, SIDE ENTRY