

MATERIALS:

PLASTIC HOUSING: HIGH TEMP. THERMOPLASTIC
FLAMMABILITY RATING UL 94V-0.

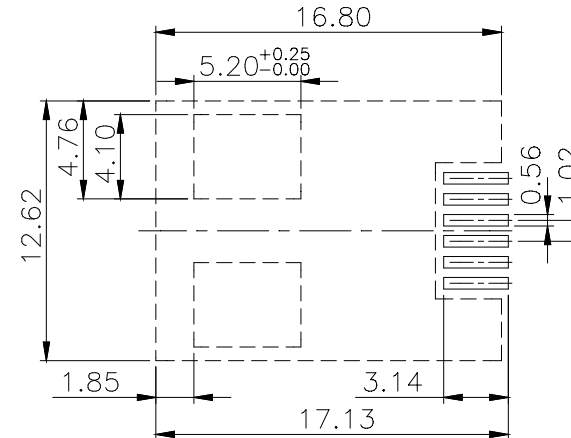
CONTACTS: PHOSPHOR BRONZE

PLATING: GOLD PLATING OVER NICKEL IN CONTACT.

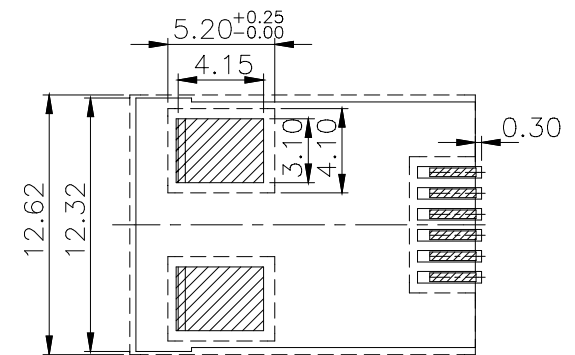
TIN PLATING OVER NICKEL IN SOLDER AREA.

SOLDER PAD: BRASS PLATED TIN ALLOY

PCB LAYOUT/TOP VIEW



成品上PCB板情形



※凡標註 \triangle 記號者, 為品管檢驗之尺寸

RoHS Compliant

TOLERANCES ARE

MORETHANALL
PCB CONNECTORS
Cable ASSEMBLIES

DRAWING BY CY

X, ±

CHECKED BY GENIUS

.X ±

UNIT / mm

SCALE 1 : 1

.XX ±

DATE

.XXX ±

SIZE A4

PPOJECTION

ANG ±



ORDER INFORMATION

MJW12U-KX06NR-0606-LF

SERIES

|

|

|

|

|

|

|

|

|

|

|

|

|

|

|

|

LEADFREE

6P6C

REEL

INNER EAR

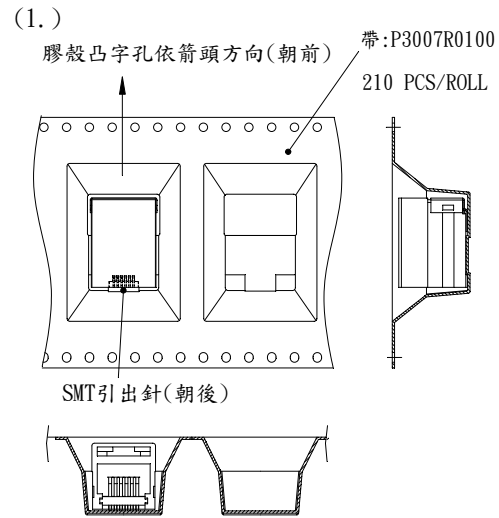
BLACK

06u" NON POST

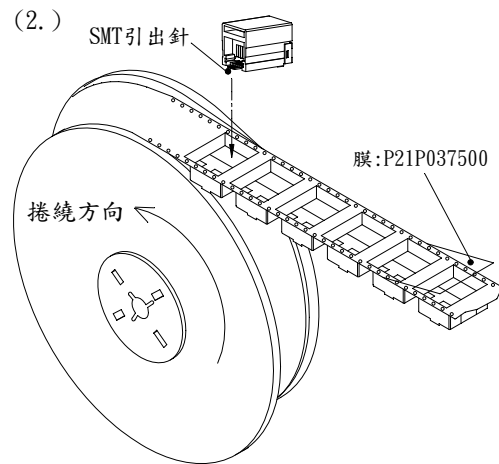
煜倫股份有限公司

www.morethanall.com

DESCRIPTION:

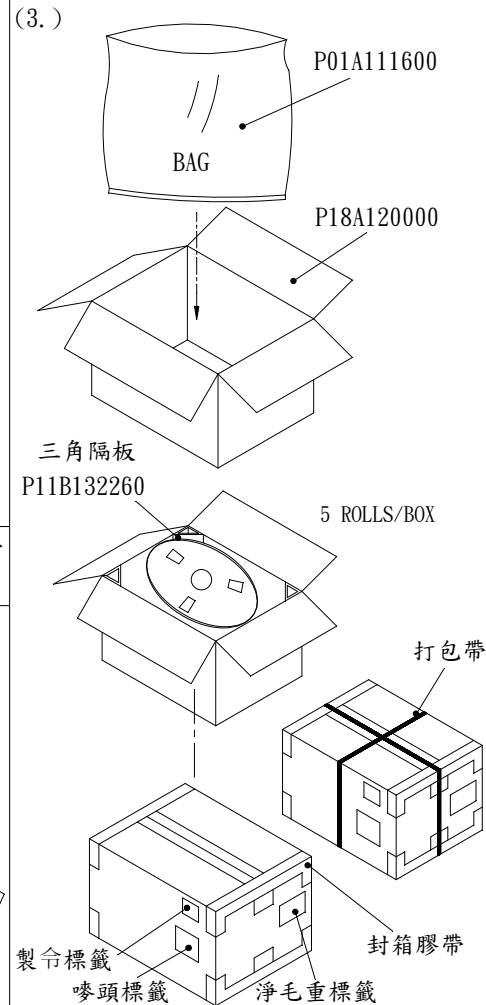


1. 請將組立完成之成品依圖面標示方向順序放入塑膠膜內。



請注意捲帶(P21P037500)上的圓孔不可被塑膠膜或膠帶封住亦不可彎折,以免產生白紋

2. 成品依序放入塑膠膜後,依圖面標示方向進行捲繞(塑膠膜空格保留:前5格後5格)



3. 將防水袋(P01A111600)打開套入外箱(P18A120000)內,再將完成包裝之捲盤放入外箱中依圖示貼標籤,以封箱膠帶封箱,依圖示打包。(外箱四周內,放四個三角隔板)

4. 若為不滿箱,請用牛皮紙填充。

RoHS Compliant

TOLERANCES ARE

MORETHANALL
PCB CONNECTORS
Cable ASSEMBLIES

煜倫股份有限公司

www.morethanall.com

DRAWING BY CY

CHECKED BY GENIUS

UNIT / mm

SCALE 1:1

DATE

SIZE A4

X, ±
.X ±
.XX ±
.XXX ±
ANG ±

PPOJECTION



ORDER INFORMATION

MJW12U-KX06NR-0606-LF

SERIES

REEL

INNER EAR

NON POST

6P6C

LEADFREE

BLACK

06u"

NON POST

DESCRIPTION: