

NOTE:

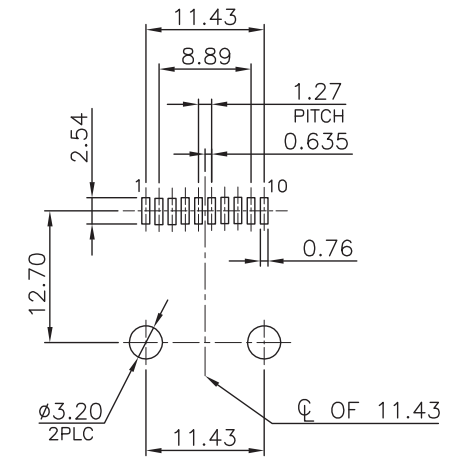
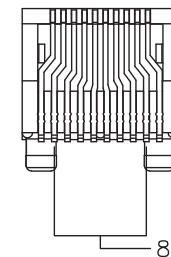
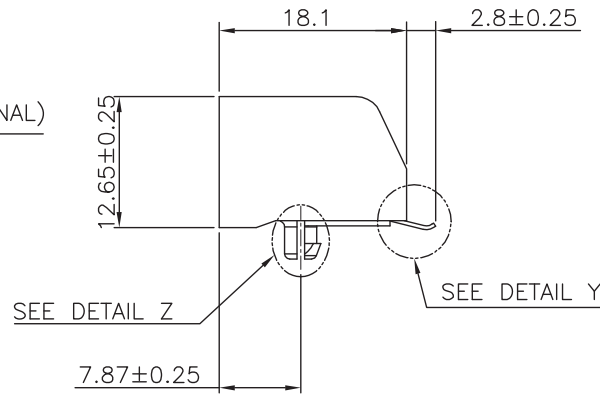
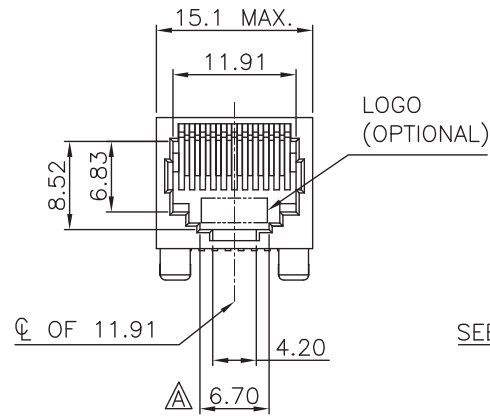
CAVITY CONFORMS TO FCC RULES AND REGULATIONS PART 68, SUBPART F.

1. MATERIAL:

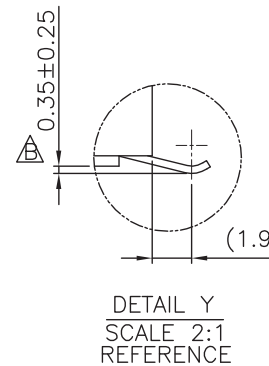
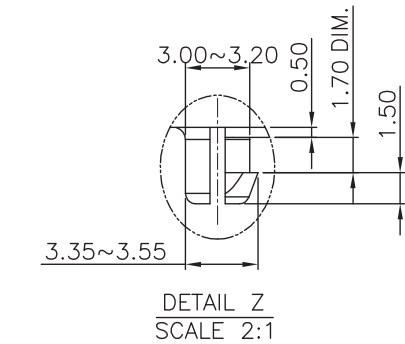
- 1.1 HOUSING: PA46, WITH GLASS FIBER, UL94V-0, STANDARD COLOR-BLACK.
- 1.2 CONTACTS: PHOSPHOR BRONZE.

2. FINISH:

- 2.1 CONTACTS: GOLD PLATED ON CONTACT AREA, GOLD FLASH ON SOLDER TAIL, 1.27 $\mu$ m [50 $\mu$ "] MIN. NICKEL UNDERPLATED OVERALL.



RECOMMENDED PCB LAYOUT  
PCB THICKNESS: 1.6mm  
TOLERANCE:  $\pm 0.05$ mm (TOP VIEW)



RoHS Compliant

TOLERANCES ARE

**MORETHANALL**  
PCB CONNECTORS  
Cable ASSEMBLIES

DRAWING BY CY

CHECKED BY GENIUS

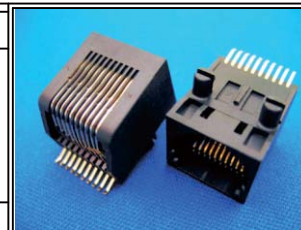
UNIT / mm SCALE 1 : 1

DATE

SIZE A4

X,  $\pm$   
X,  $\pm 0.25$   
.XX,  $\pm 0.13$   
.XXX,  $\pm 0.05$   
ANG  $\pm$

P PROJECTION



ORDER INFORMATION

MJW12J-KX06P-1010-LF

SERIES | POST | 10P10C | LEADFREE  
| 06u" GOLD |  
| NON EAR |  
| BLACK |

煜倫股份有限公司

www.morethanall.com

DESCRIPTION: 10POSITION SMT TYPE LOW PROFILE, SIDE ENTRY PCB JACK