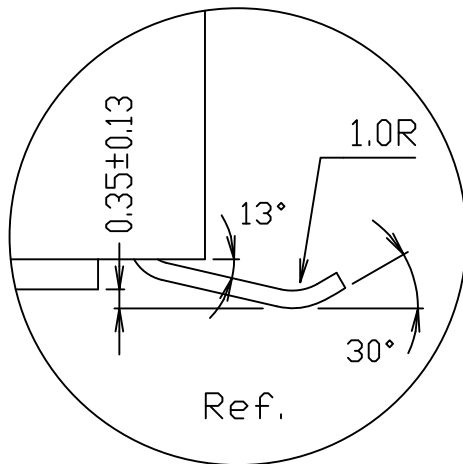
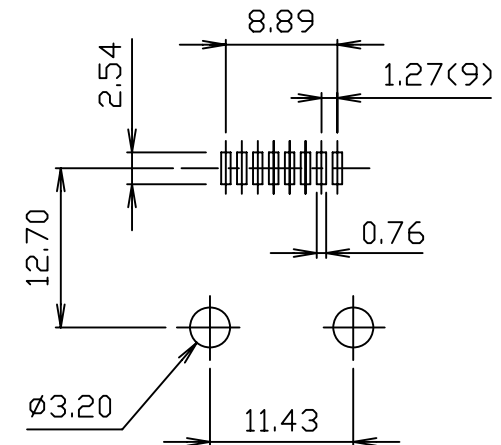
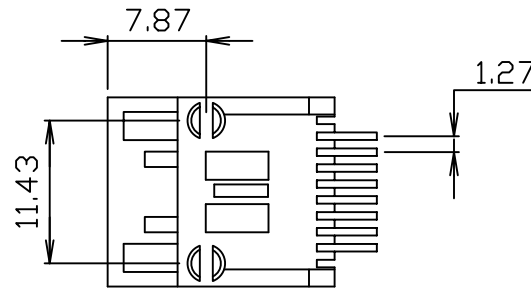


MATERIAL: HOUSING NY-46 POLYESTER UL-94V-0
 MIXED GLASS FIBER.
 STANDARD COLOR-BLACK
 CONTACTS-0.35mm THICK PHOS-BRONZE
 PLATED WITH HARD GOLD AND
 TIN/LEAD IN SOLDER AREA.
 CAVITY CONFORMS TO FCC RULES AND REGULATIONS
 PART 68,SUBPART F.



DETAIL X



PC Board Layout

RoHS Compliant

TOLERANCES ARE

MORETHANALL
 PCB CONNECTORS
 Cable ASSEMBLIES

DRAWING BY CY

X.±

CHECKED BY GENIUS

.X±

UNIT / mm

SCALE 1:1

.XX±

DATE

.XXX±

ANG±

照片框

ORDER INFORMATION

MJW12J-KX06P-0808-LF

SERIES

POST

NON EAR

BLACK

8P8C

LEADFREE

煜倫股份有限公司

www.morethanall.com

SIZE A4

PROJECTION

DESCRIPTION:10POSITION SMT TYPE LOW PROFILE, SIDE ENTRY PCB JACK