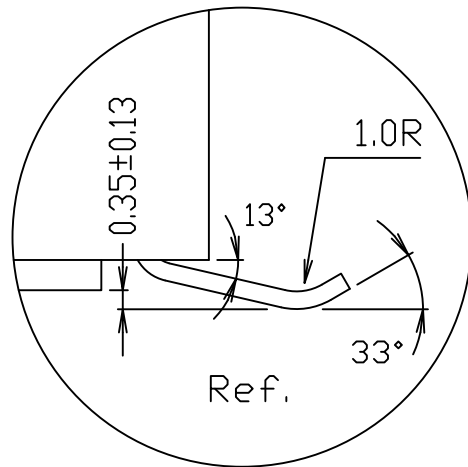
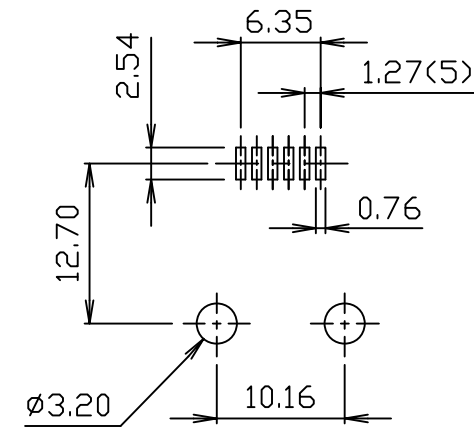
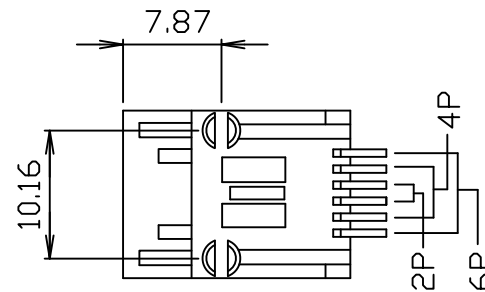


MATERIAL: HOUSING NY-46 POLYESTER UL-94V-0
 MIXED GLASS FIBER.
 STANDARD COLOR-BLACK
 CONTACTS-0.35mm THICK PHOS-BRONZE
 PLATED WITH HARD GOLD AND
 TIN/LEAD IN SOLDER AREA.
 CAVITY CONFIRMS TO FCC RULES AND REGULATIONS
 PART 68,SUBPART F.



DETAIL X



PC Board Layout

RoHS Compliant

TOLERANCES ARE

MORETHANALL
 PCB CONNECTORS
 Cable ASSEMBLIES

煜倫股份有限公司

www.morethanall.com

DRAWING BY CY

CHECKED BY GENIUS

UNIT / mm

SCALE 1 : 1

DATE

SIZE A4

X, ±
 .X ± 0.25
 .XX ± 0.13
 .XXX ± 0.05
 ANG ±

P PROJECTION

照片框

ORDER INFORMATION

MJW12J-KX06P-0606-LF

SERIES

POST 6P6C LEADFREE
 06u" GOLD
 NON EAR
 BLACK

DESCRIPTION: 6 POSITION SMT TYPE LOW PROFILE, SIDE ENTRY PCB JACK