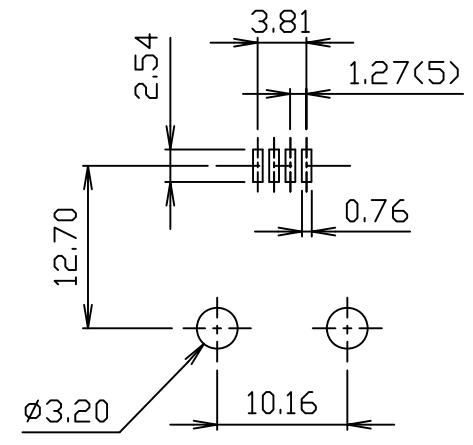
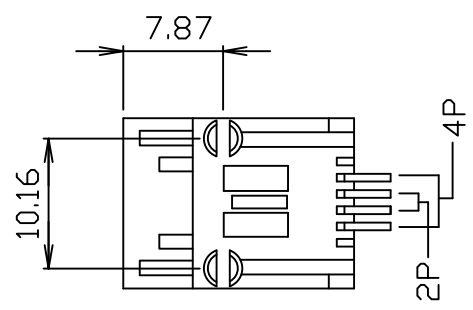
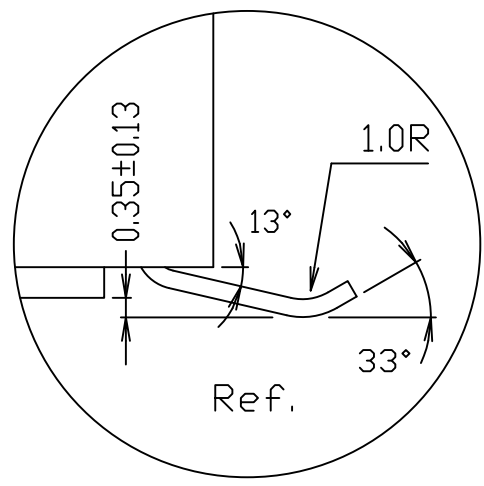


MATERIAL: HOUSING-PBT POLYESTER UL-94V-0  
 MIXED GLASS FIBER.  
 STANDARD COLOR-BLACK  
 CONTACTS-0.35mm THICK PHOS-BRONZE  
 PLATED WITH HARD GOLD AND  
 TIN/LEAD IN SOLDER AREA.  
 CAVITY CONFIRMS TO FCC RULES AND REGULATIONS  
 PART 68,SUBPART F.



PC Board Layout

DETAIL X

**RoHS Compliant**

TOLERANCES ARE



煜倫股份有限公司

www.morethanall.com

DRAWING BY CY

CHECKED BY GENIUS

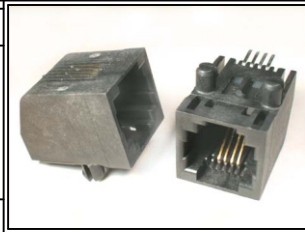
UNIT / mm SCALE 1 : 1

DATE

SIZE A4

X.±  
 .X±  
 .XX±  
 .XXX±  
 ANG ±

PJECTION



**ORDER INFORMATION**

MJW12J-KX06P-0604-LF

SERIES | POST | 6P4C | LEADFREE  
 | 06u" GOLD |  
 | NON EAR |  
 | BLACK |

DESCRIPTION: 6POSITION SMT TYPE LOW PROFILE, SIDE ENTRY PCB JACK