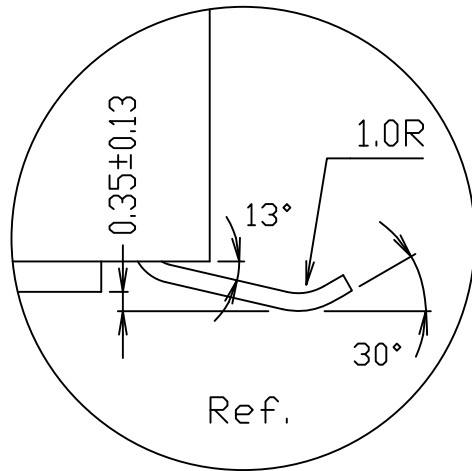
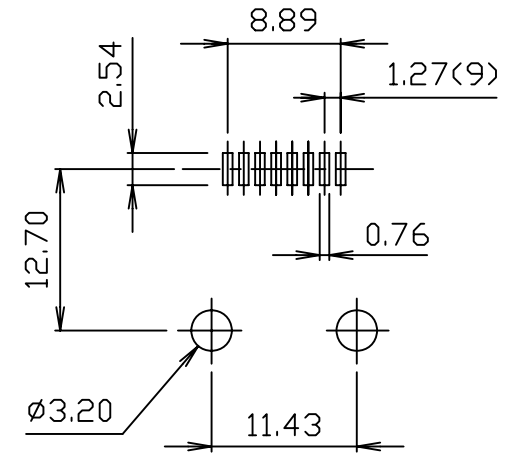
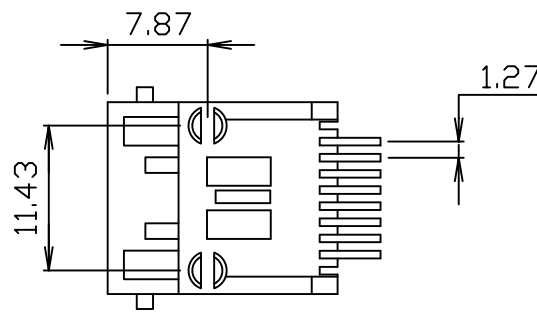


MATERIAL: HOUSING NY-46 POLYESTER UL-94V-0  
 MIXED GLASS FIBER.  
 STANDARD COLOR-BLACK  
 CONTACTS-0.35mm THICK PHOS-BRONZE  
 PLATED WITH HARD GOLD AND  
 TIN/LEAD IN SOLDER AREA.  
 CAVITY CONFORMS TO FCC RULES AND REGULATIONS  
 PART 68,SUBPART F.



DETAIL X



PC Board Layout

**RoHS Compliant**

TOLERANCES ARE

**MORETHANALL**  
 PCB CONNECTORS  
 Cable ASSEMBLIES

DRAWING BY CY

CHECKED BY GENIUS

UNIT / mm

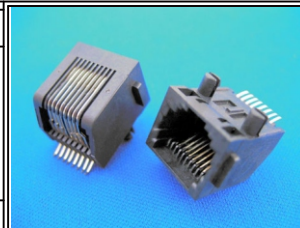
SCALE 1 : 1

DATE

SIZE A4

PJECTION

X, ±  
 .X ± 0.25  
 .XX ± 0.13  
 .XXX ±  
 ANG ±



**ORDER INFORMATION**

**MJW12J-KE06P-0808-LF**

SERIES

8P8C

LEADFREE

POST

06u" GOLD

EAR

BLACK

**煜倫股份有限公司**

[www.morethanall.com](http://www.morethanall.com)

DESCRIPTION: 10POSITION SMT TYPE LOW PROFILE, SIDE ENTRY PCB JACK