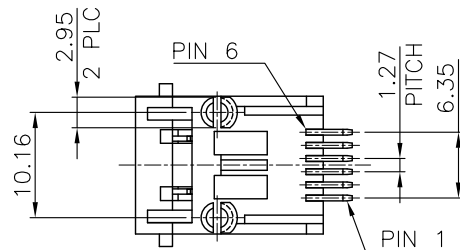
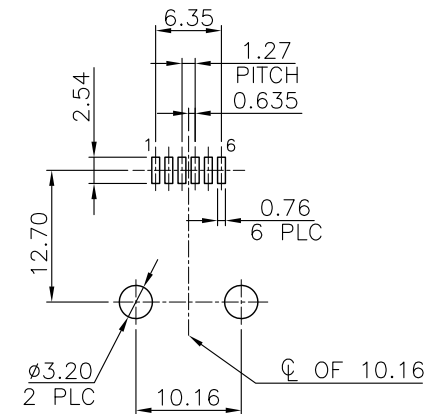
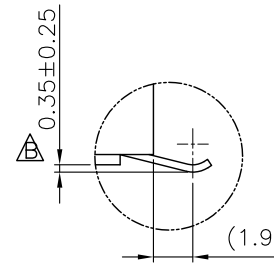


DETAIL Z
SCALE 2:1



DETAIL Y
SCALE 2:1
REFERENCE



RECOMMENDED PCB LAYOUT
RECOMMENDED PCB THICKNESS: 1.6mm
TOLERANCE: ±0.05 (TOP VIEW)

NOTE:

CAVITY CONFIRMS TO FCC RULES AND REGULATIONS PART 68, SUBPART F.

1. MATERIAL:

HOUSING: PA46, WITH GLASS FIBER,
UL 94V-0, STANDARD COLOR-BLACK.
CONTACTS: PHOSPHOR BRONZE.

2. FINISH:

CONTACTS: GOLD PLATED ON CONTACT AREA,
0.0254μm [1μ"] GOLD PLATED ON SOLDER TAIL,
WITH ENTIRE CONTACT UNDERPLATED
1.27μm [50μ"] MIN. NICKEL.

RoHS Compliant

TOLERANCES ARE

MORETHANALL
PCB CONNECTORS
Cable ASSEMBLIES

DRAWING BY CY

CHECKED BY GENIUS

UNIT / mm

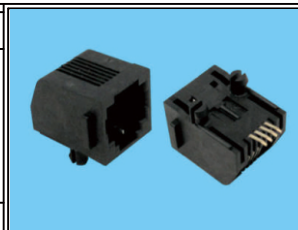
SCALE 1:1

DATE

SIZE A4

P PROJECTION

X, ±
.X ± 0.25
.XX ± 0.13
.XXX ± 0.05
ANG ±



ORDER INFORMATION

MJW12J-KE06P-06xx-LF

SERIES

LEADFREE

BLACK
EAR

0606:6P6C
0604:6P4C
0602:6P2C
POST
06u" GOLD

煜倫股份有限公司

www.morethanall.com

DESCRIPTION: 6POSITION, SMT, LOW PROFILE, SIDE ENTRY PCB JACK