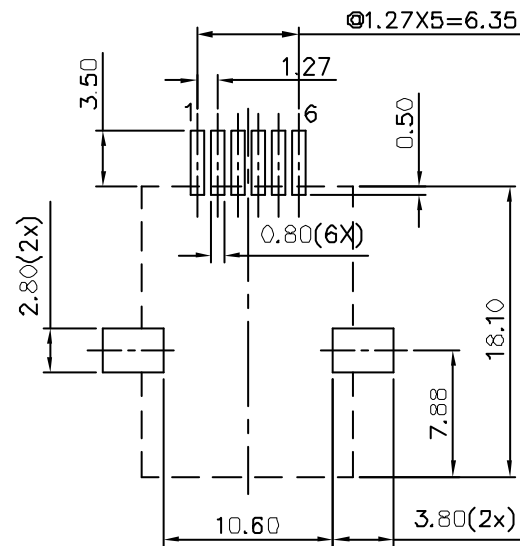
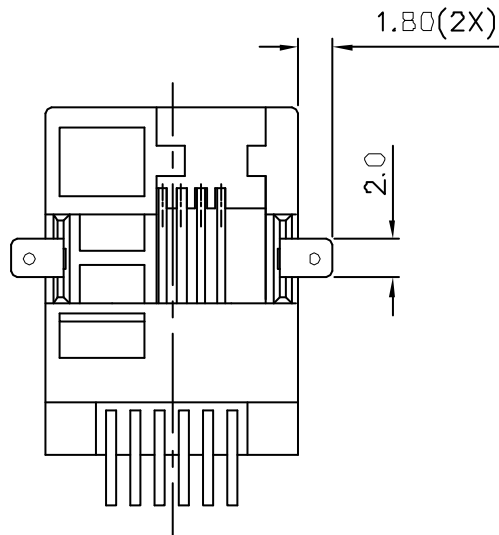
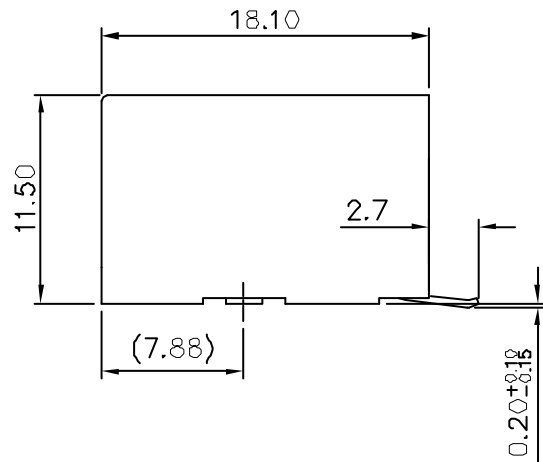
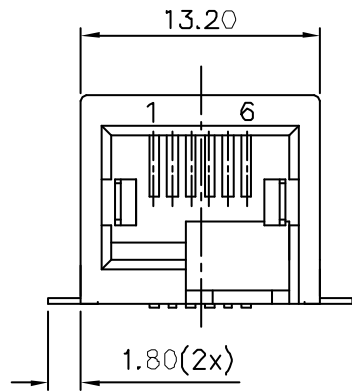


Technical Data

Housing : Standard Colour - Black
& Insert High Temperature Thermoplastic, UL94V-0
Contact : 0.35mm Thickness Phosphor Bronze
 Gold Plating Over Nickel Over Tin
Stator : 0.30mm Thickness Phosphor Bronze Tin Plating.



**PC Board Layout
Component Side Shown**

RoHS Compliant

TOLERANCES ARE

MORETHANALL
PCB CONNECTORS
Cable ASSEMBLIES

煜倫股份有限公司

www.morethanall.com

DRAWING BY CY

CHECKED BY GENIUS

UNIT / mm SCALE 1 : 1

DATE

SIZE A4

X. ±
.X ±
.XX ±
.XXX ±
ANG ±

PPOJECTION

照片框

ORDER INFORMATION

MJW11-KXxx-0606D-LF

SERIES | LEADFREE
6P6C / D TYPE
06:06u" GOLD
15:15u" GOLD
BLACK
NON EAR

DESCRIPTION: SIDE ENTRY DEC TYPE SMT JACK 6P