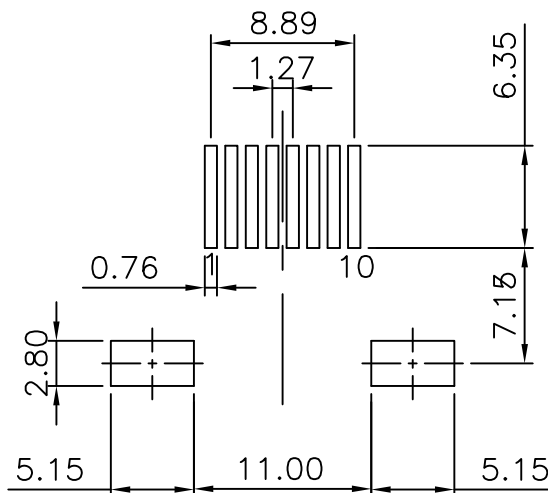
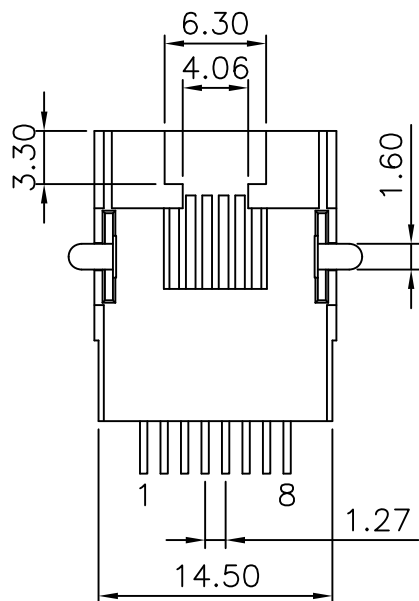


**MATERIAL:**

- HOUSING—DSM STANYL TE250F6 (NYLON-46)  
HEAT DEFLECTION TEMP.290°  
BLACK COLOR, UL94V-0
- CONTACTS—0.35mm THICK PHOS-BRONZE  
PLATED WITH HARD GOLD AND  
GOLD FLASH IN SOLDER AREA.
- HOLD DOWN—0.30mm THICK COPPER ALLOY,  
PLATED WITH TIN.

CAVITY CONFIRMS TO FCC RULES AND REGULATIONS  
PART 68,SUBPART F.

- SOLDERING TEMPERATURE 260°C±5°C, 5 SEC.



**PCB LAYOUT**

Ref.

**RoHS Compliant**

TOLERANCES ARE

**MORETHANALL**  
PCB CONNECTORS  
Cable ASSEMBLIES

DRAWING BY CY

X.±

CHECKED BY GENIUS

.X±

UNIT / mm

SCALE 1 : 1

.XX±

DATE

.XXX±

ANG±

SIZE A4

PPOJECTION



**ORDER INFORMATION**

MJW11-KX06R-0808-LF

SERIES

REEL

8P8C

LEADFREE

06u" GOLD

NON EAR

BLACK

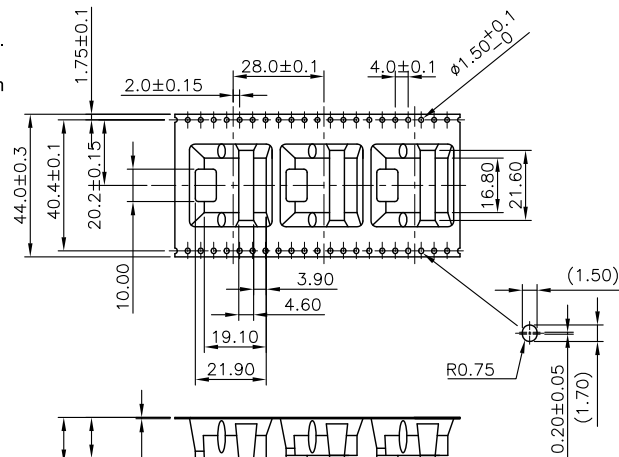
**煜倫股份有限公司**

[www.morethanall.com](http://www.morethanall.com)

DESCRIPTION: 10POSITION, SMT TYPE SIDE ENTRY PCB JACK

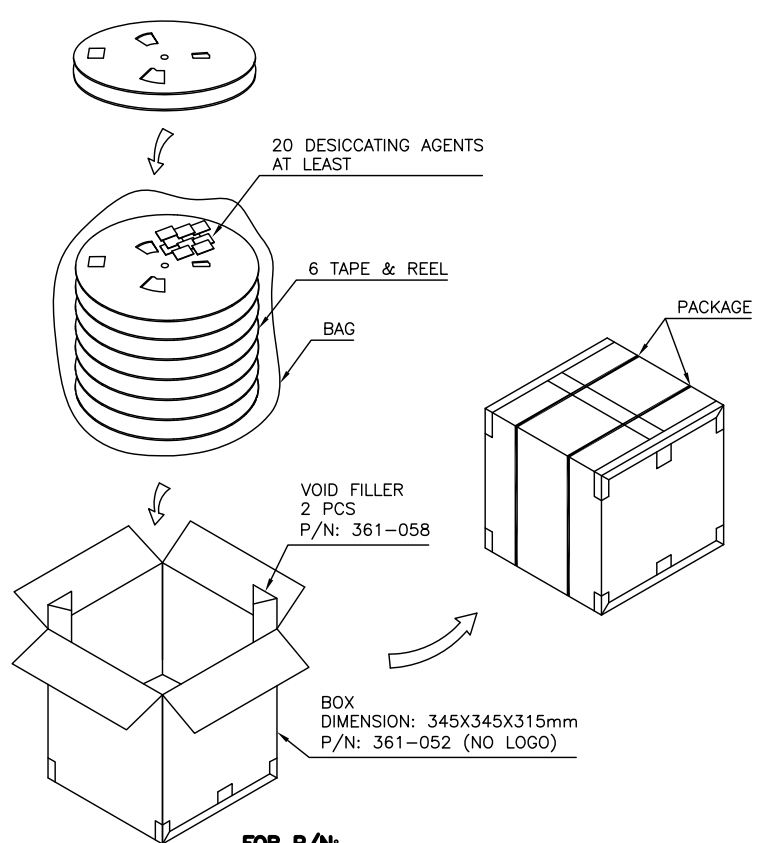
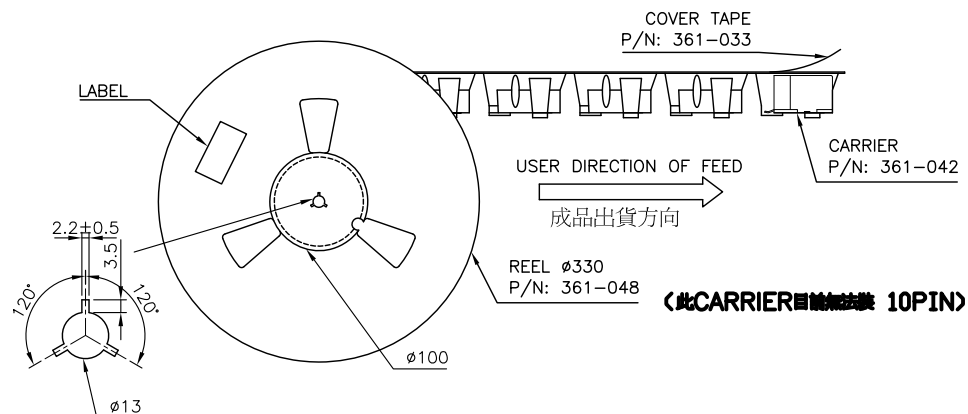
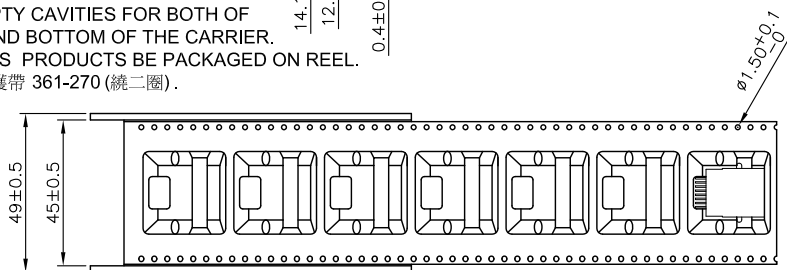
MATERIALS:

- 1.CARRIER-PS (0.40mm THICK TAPE).
- 2.REEL-2mmTHICK PLASTIC WHEEL.
- 3.COVER TAPE-PE (0.045mm~0.12mm THICK TAPE).



NOTES:

- 1. 10 EMPTY CAVITIES FOR BOTH OF TOP AND BOTTOM OF THE CARRIER.
- 2. 180 PCS PRODUCTS BE PACKAGED ON REEL.
- 3. 軸外保護帶 361-270 (繞二圈).



FOR P/N:

- KG	- KG	1080	6	180
GROSS WEIGHT (REF.)	NET WEIGHT (REF.)	PCS/BOX	REELS/BOX	PCS/REEL

RoHS Compliant

TOLERANCES ARE

**MORETHANALL**  
PCB CONNECTORS  
Cable ASSEMBLIES  
煜倫股份有限公司  
www.morethanall.com

DRAWING BY CY	
CHECKED BY GENIUS	
UNIT / mm	SCALE 1 : 1
DATE	
SIZE A4	P PROJECTION

X. ±	.X ± 0.30
.XX ±	0.20
.XXX ±	0.10
ANG ±	



ORDER INFORMATION

MJW11-KX06R-0808-LF  
SERIES  
LEADFREE  
8P8C  
REEL  
06u" GOLD  
NON EAR  
BLACK

DESCRIPTION: 10P8C TAPE & REEL PACKAGE SPEC.